

SPXFLOW
Boltng Systems™

1.500 Bar Yay Dönüslü Hidrolik Saplama Gerdirmeler

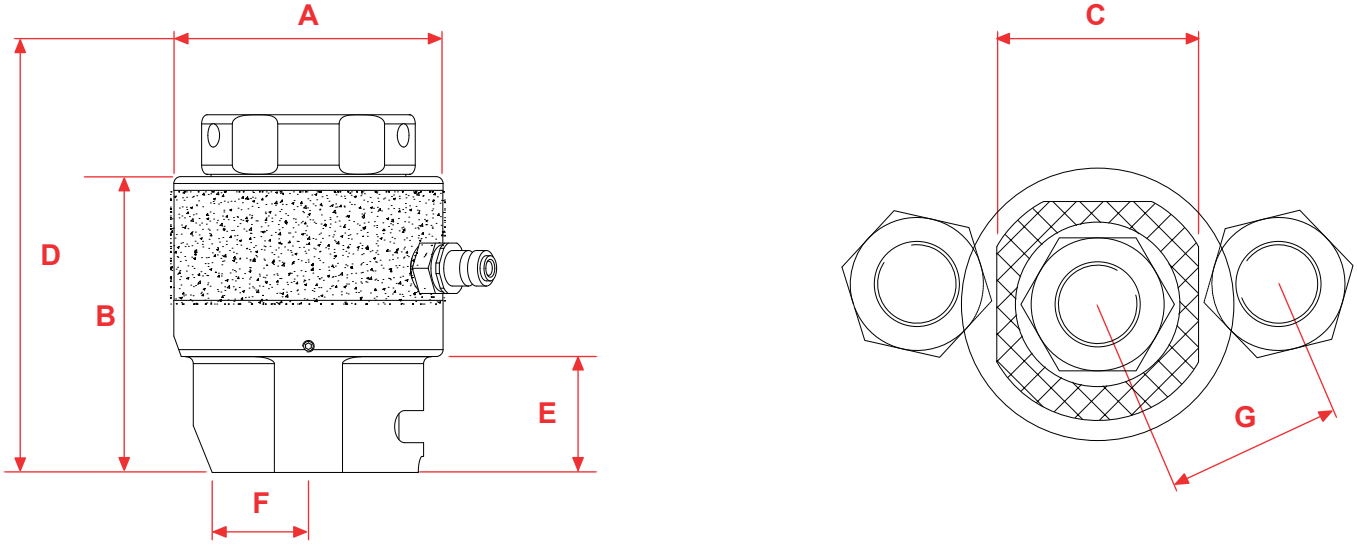
1.500 Bar Spring Return Hydraulic Bolt Tensioners



- » Saplama gerdirme aralığı M20 - M115, 3/4" - 4".
 - » Tek etkili yay dönüslü yeni teknoloji hidrolik sistem.
 - » Piston strok göstergeli ve aşırı strok korumalı tasarım.
 - » 1500 bar çalışma basıncında 410 ton gerdirme kuvveti.
 - » Kolay sökülüp takılabilen köprü - soket bağlantı sistemi.
 - » Eski tip MRT serisi yük dönüslü gerdirmelere uyumlu yapı.
 - » DIN-EN ANSI B16.5 /BS1560 / API flanşlarına tam uygunluk.
 - » Kapalı ve korunaklı yük hücresi sayesinde uzun ömürlü.
-
- » Bolt coverage from 3/4" - 4" / 20 - 115 mm.
 - » Spring return design, new technology.
 - » Piston overstroke prevention, stroke indication.
 - » Capacity up to 4100 kN by 1500 bar working pressure.
 - » Unique quick release bridge adaptation.
 - » Compatible with old type MRT Tensioner range.
 - » Designed to fit BS1560/ANSI B16.5/API flanges.
 - » Fully enclosed load cell design enables long live.

Metrik Ölçüler / Metric Sizes

Model	Saplama Ölçüsü Bolt Size		Kapasite Capacity		Etki Alanı Effect Area	Min. Saplama Uzunluğu Min. Bolt Length	Ağırlık Weight	A	B	C	D	E	F	G
No.	Metrik	Adaptor Kit	Ton	kN	cm ²	mm	kg	mm						
SRT0 SRTAS000001	M20	SRTAS000006	16	160	10.6	20	1.4	66	93	63	142	36	25	49.8
	M22	SRTAS000008	16	160	10.6	22	1.4	66	93	63	144	36	25	51
SRT1 SRTAS010001	M24	SRTAS010007	28	280	18.6	24	2.7	87	117	68	175	38	28	56.5
	M27	SRTAS010009	28	280	18.6	27	2.7	87	117	68	178	38	28	58.7
SRT2 SRTAS020001	M24	SRTAS020011	45	450	30	24	4.1	103	117	75	175	38	30	64.5
	M27	SRTAS020013	45	450	30	27	4.1	103	117	75	178	38	30	66
	M30	SRTAS020014	45	450	30	30	4.1	103	120	80	184	41	30	67.6
	M33	SRTAS020015	45	450	30	33	4.1	103	123	84	190	44	35	71.9
SRT3 SRTAS030001	M36	SRTAS020016	45	450	30	36	4.1	103	126	89	196	47	38	77
	M33	SRTAS030011	66	660	44	33	5.4	118	123	88	192	44	35	76.5
	M36	SRTAS030012	66	660	44	36	5.4	118	126	96	198	47	38	80.8
	M39	SRTAS030013	66	660	44	39	5.4	118	130	96	204	51	42	83.6
SRT4 SRTAS040001	M42	SRTAS030014	66	660	44	42	5.4	118	133	105	211	54	41	91
	M39	SRTAS040014	100	1.000	67	39	8.4	140.5	132	112	212	51	42	91.6
	M42	SRTAS040015	100	1.000	67	42	8.4	140.5	135	114	218	54	45	95.5
	M45	SRTAS040016	100	1.000	67	45	8.4	140.5	139	118	225	57	52	100
SRT5 SRTAS050001	M48	SRTAS040017	100	1.000	67	48	8.4	140.5	142	114	231	60	51	101.3
	M52	SRTAS050012	150	1.500	100	52	13.8	175.5	148	120	248	63	52	115
	M56	SRTAS050013	150	1.500	100	56	13.8	175.5	154	138	258	70	58	119.1
	M60	SRTAS050015	150	1.500	100	60	13.8	175.5	161	138	262	70	58	122
	M64	SRTAS050016	150	1.500	100	64	13.8	175.5	161	153	273	76	63	132.3
	M68	SRTAS050018	150	1.500	100	68	13.8	175.5	161	153	283	76	63	135
SRT6 SRTAS060001	M70	SRTAS050020	150	1.500	100	70	13.8	175.5	161	153	287	76	63	135.2
	M72	SRTAS060014	250	2.500	167	72	23	219	167	157	297	82	72	146.5
	M76	SRTAS060016	250	2.500	167	76	23	219	174	182	308	89	80	155.5
	M80	SRTAS060018	250	2.500	167	80	23	219	174	182	312	89	80	158.4
	M85	SRTAS060020	250	2.500	167	85	23	219	180	190	323	95	84	165
SRT7 SRTAS070001	M90	SRTAS060022	250	2.500	167	90	23	219	186	205	334	101	88	178.6
	M90	SRTAS070010	320	3.200	213	90	32	252	186	200	341	101	88	176.1
	M95	SRTAS070012	320	3.200	213	95	32	252	186	200	346	101	88	178.9
SRT8 SRTAS080001	M100	SRTAS070014	320	3.200	213	100	32	252	192	200	356	107	94	184.7
	M105	SRTAS080010	410	4.100	273	105	45	282	199	210	378	114	114	195
	M110	SRTAS080012	410	4.100	273	110	45	282	199	210	383	114	114	197
	M115	SRTAS080014	410	4.100	273	115	45	282	205	224	394	120	114	208



İnç Ölçüler / Imperial Sizes

Model	Saplama Ölçüsü Bolt Size		Kapasite Capacity		Etki Alanı Effect Area	Min. Saplama Uzunluğu Min. Bolt Length	Ağırlık Weight	A	B	C	D	E	F	G
No.	İnç	Adaptor Kit	Ton	Lbf	in ²	İNÇ	kg	mm						
SRT0 SRTAS000001	3/4"	SRTAS000002	18	35.971	1.654	0.75	3.1	2.6	3.7	2.5	5.4	1.4	1	2
	7/8"	SRTAS000004	18	35.971	1.654	0.87	3.1	2.6	3.7	2.5	5.6	1.4	1	2.1
SRT1 SRTAS010001	1"	SRTAS010003	31	62.950	2.894	0.98	6	3.4	4.6	2.7	6.9	1.5	1.1	2.3
	1.1/8"	SRTAS010005	31	62.950	2.894	1.14	6	3.4	4.7	2.8	7.1	1.6	1.2	2.7
SRT2 SRTAS020001	1"	SRTAS020003	50	101.169	4.652	0.98	9	4.1	4.6	3	6.9	1.5	1.2	2.6
	1.1/8"	SRTAS020005	50	101.169	4.652	1.14	9	4.1	4.7	3.1	7.1	1.6	1.2	2.7
	1.1/4"	SRTAS020007	50	101.169	4.652	1.26	9	4.1	4.8	3.3	7.4	1.7	1.4	2.8
SRT3 SRTAS030001	1.3/8"	SRTAS020009	50	101.169	4.652	1.38	9	4.1	5	3.5	7.7	1.9	1.5	3.1
	1.1/4"	SRTAS030003	74	148.381	6.822	1.26	11.9	4.7	4.8	3.5	7.5	1.7	1.4	3
	1.3/8"	SRTAS030005	74	148.381	6.822	1.38	11.9	4.7	5	3.8	7.8	1.9	1.5	3.2
SRT4 SRTAS040001	1.1/2"	SRTAS030007	74	148.381	6.822	1.5	11.9	4.7	5.1	3.8	8	2	1.7	3.3
	1.5/8"	SRTAS030009	74	148.381	6.822	1.61	11.9	4.7	5.2	4.1	8.2	2.1	1.6	3.6
	1.1/2"	SRTAS040004	112	224.820	10.335	1.5	18.5	5.5	5.2	4.4	8.3	2	1.7	3.6
SRT5 SRTAS050001	1.5/8"	SRTAS040006	112	224.820	10.335	1.61	18.5	5.5	5.3	4.5	8.5	2.1	1.8	3.8
	1.3/4"	SRTAS040008	112	224.820	10.335	1.73	18.5	5.5	5.5	4.6	8.8	2.2	2	3.9
	1.7/8"	SRTAS040010	112	224.820	10.335	1.89	18.5	5.5	5.6	4.5	9.1	2.4	2	4
SRT6 SRTAS060001	2"	SRTAS040012	112	224.820	10.335	2.01	18.5	5.5	5.7	4.7	9.3	2.5	2	4.2
	2"	SRTAS050004	168	337.230	15.504	2.01	30.4	6.9	5.8	4.7	9.7	2.5	2	4.5
	2.1/4"	SRTAS050006	168	337.230	15.504	2.24	30.4	6.9	6.1	5.4	10.2	2.8	2.3	4.8
SRT7 SRTAS070001	2.1/2"	SRTAS050008	168	337.230	15.504	2.52	30.4	6.9	6.3	6	10.2	3	2.5	5.3
	2.3/4"	SRTAS050010	168	337.230	15.504	2.76	30.4	6.9	6.6	6.1	11.2	3.2	2.8	5.6
	2.3/4"	SRTAS060004	281	562.050	25.84	2.76	50.7	8.6	6.6	6.2	11.6	3.2	2.8	5.7
SRT8 SRTAS080001	3"	SRTAS060006	281	562.050	25.84	2.99	50.7	8.6	6.9	7.2	12.1	3.5	3.1	6.3
	3.1/4"	SRTAS060008	281	562.050	25.84	3.27	50.7	8.6	7.1	7.5	12.6	3.7	3.3	6.7
	3.1/2"	SRTAS060010	281	562.050	25.84	3.50	50.7	8.6	7.3	8.1	13.1	4	3.5	7.2
SRT7 SRTAS070001	3.1/2"	SRTAS070004	360	719.424	33.076	3.50	70.5	9.9	7.3	7.9	13.3	4	3.5	7.1
	3.3/4"	SRTAS070006	360	719.424	33.076	3.74	70.5	9.9	7.6	7.9	13.9	4.2	3.7	7.3
SRT8 SRTAS080001	4"	SRTAS070008	360	719.424	33.076	4.02	70.5	9.9	7.8	8.3	14.3	4.5	4.5	7.3
	4"	SRTAS080004	460	921.762	42.337	4.02	99.2	11.1	7.8	8.3	14.7	4.5	4.5	7.7
SRT8 SRTAS080001	4.1/4"	SRTAS080006	460	921.762	42.337	4.25	99.2	11.1	8.1	8.8	15.2	4.7	4.5	8.2
	4.1/2"	SRTAS080008	460	921.762	42.337	4.49	99.2	11.1	8.3	9.1	15.7	5	4.6	8.6