

SPX
Bolting Systems™

Kasetli Hidrolik Tork Anahtarları

Low Clearance Hydraulic Torque Wrenches



±%3

Yüksek hassasiyetli
torklama işlemi39.000
N.m256 - 39.000 N.m arası
kapasite seçeneği

↻

Sıkma ve sökmeye
uygun kullanım360°
180°Çok pozisyonlu dönebilir
yağ giriş bağlantısı

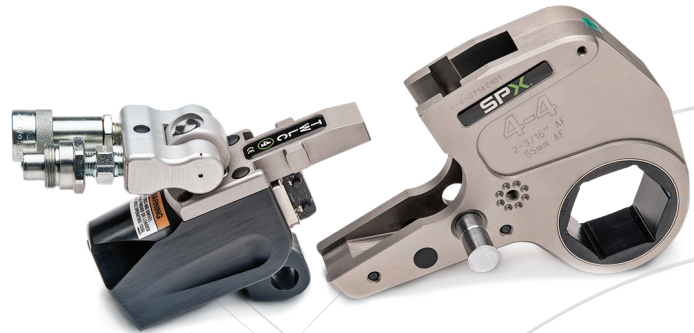
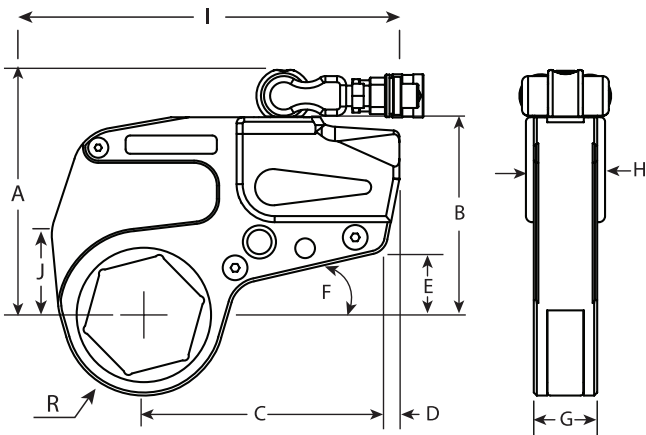
💧

Su altında torklama işlemi
için uygundur

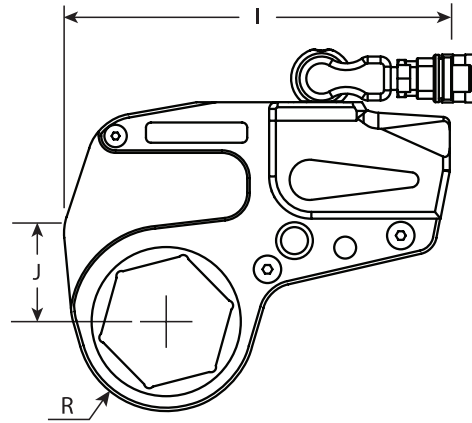
🇹🇷

Türkiye'de servis ve
kalibrasyon desteği

Model	Tork Gücü (N.m)		Anahtar Nut Size	Ağırlık Weight	Ölçüler (mm)							
	Torque Range				Sizes							
No.	Min.	Max.	mm	Kg	A	B	C	D	E	F	G	H
TWLC2	256	2.134	26 - 60	1	97	103	128	8	35	13	32	42
TWLC4	646	5.386	33 - 80	2	120	130	159	9	43	13	42	52
TWLC8	1.293	10.772	49 - 100	3.5	147	158	177	24.5	40	14	54	67
TWLC15	2.415	20.122	62 - 116	7	174	186	200	27	43	14	63	76
TWLC30	4.683	39.024	80 - 155	14.5	223	239	267	26	62	15	82	94



TWLC Serisi Hidrolik Tork Anahtarı Kasetleri
TWLC Series Hydraulic Torque Cassettes



- ±%3** Yüksek hassasiyetli torklama işlemi
- ↻** Sıkma ve sökmeye uygun kullanım
- ⬇** Her ölçüye özel daraltıcı burç imalatı
- ⚡** Ekstra ince tasarım ile dar alanlara uyumlu
- 📄** Türkiye'de servis ve yedek parça desteği

TWLC2				TWLC4				TWLC8				TWLC15				TWLC30			
No.	R (mm)	I (mm)	J (mm)	No.	R (mm)	I (mm)	J (mm)	No.	R (mm)	I (mm)	J (mm)	No.	R (mm)	I (mm)	J (mm)	No.	R (mm)	I (mm)	J (mm)
TWL2-026	31.5	180	38	TWL4-035	36.5	227	53	TWL8-049	50.5	274	77	TWL15-062	60.5	313	88	TWL30-080	77	393	104
TWL2-030	31.5	180	38	TWL4-036	36.5	227	53	TWL8-050	50.5	274	77	TWL15-063	60.5	313	88	TWL30-081	77	393	104
TWL2-032	31.5	180	38	TWL4-038	36.5	227	53	TWL8-052	50.5	274	77	TWL15-065	60.5	313	88	TWL30-083	77	393	104
TWL2-033	31.5	180	38	TWL4-040	36.5	227	53	TWL8-054	50.5	274	77	TWL15-067	60.5	313	88	TWL30-084	77	393	104
TWL2-035	31.5	180	38	TWL4-041	36.5	227	53	TWL8-055	50.5	274	77	TWL15-068	60.5	313	88	TWL30-085	77	393	104
TWL2-036	31.5	180	38	TWL4-043	39	227	53	TWL8-057	50.5	274	77	TWL15-070	60.5	313	88	TWL30-087	77	393	104
TWL2-038	34.5	181	40	TWL4-044	39	227	53	TWL8-059	50.5	274	77	TWL15-071	63	313	88	TWL30-089	77	393	104
TWL2-040	34.5	181	40	TWL4-046	39	227	53	TWL8-060	50.5	274	77	TWL15-073	63	313	88	TWL30-090	77	393	104
TWL2-041	34.5	181	40	TWL4-049	42	227	53	TWL8-062	53	274	77	TWL15-075	63	313	88	TWL30-091	83	393	104
TWL2-043	37	183	40	TWL4-050	42	227	53	TWL8-063	53	274	77	TWL15-077	66.5	313	88	TWL30-092	83	393	104
TWL2-044	37	183	40	TWL4-052	44.5	227	53	TWL8-065	53	274	77	TWL15-078	66.5	313	88	TWL30-094	83	393	104
TWL2-046	37	183	40	TWL4-054	44.5	227	53	TWL8-067	56	274	77	TWL15-080	66.5	313	88	TWL30-095	83	393	104
TWL2-049	40	185	43	TWL4-055	44.5	227	53	TWL8-068	56	274	77	TWL15-081	72	313	8	TWL30-097	83	393	104
TWL2-050	40	185	43	TWL4-057	47.5	227	53	TWL8-070	56	274	77	TWL15-083	72	313	8	TWL30-099	83	393	104
TWL2-052	42.5	185	43	TWL4-059	47.5	227	53	TWL8-071	58.5	274	77	TWL15-084	72	313	8	TWL30-100	83	393	104
TWL2-054	42.5	185	43	TWL4-060	47.5	227	53	TWL8-073	58.5	274	77	TWL15-085	72	313	8	TWL30-102	89	393	104
TWL2-055	42.5	185	43	TWL4-062	50	227	53	TWL8-075	58.5	274	77	TWL15-087	72	313	8	TWL30-103	89	393	104
TWL2-057	45.5	185	43	TWL4-063	50	227	53	TWL8-077	62	277	72	TWL15-089	72	313	8	TWL30-105	89	393	104
TWL2-059	45.5	185	43	TWL4-065	50	227	53	TWL8-078	62	277	72	TWL15-090	72	313	8	TWL30-106	89	393	104
TWL2-060	45.5	185	43	TWL4-067	53	229	56	TWL8-080	62	277	72	TWL15-091	78	316	80	TWL30-108	89	393	104
				TWL4-068	53	229	56	TWL8-081	67	277	72	TWL15-092	78	316	80	TWL30-110	89	393	104
				TWL4-070	53	229	56	TWL8-083	67	277	72	TWL15-094	78	316	80	TWL30-111	92	393	104
				TWL4-071	55.5	229	56	TWL8-084	67	277	72	TWL15-095	78	316	80	TWL30-113	92	393	104
				TWL4-073	55.5	229	56	TWL8-085	67	277	72	TWL15-097	78	316	80	TWL30-114	92	393	104
				TWL4-075	55.5	229	56	TWL8-087	67	277	72	TWL15-099	78	316	80	TWL30-115	92	393	104
				TWL4-077	59	230	58	TWL8-089	67	277	72	TWL15-100	78	316	80	TWL30-116	92	393	104
				TWL4-078	59	230	58	TWL8-090	67	277	72	TWL15-102	82.5	316	80	TWL30-119	99	400	109
				TWL4-080	59	230	58	TWL8-091	73.5	277	72	TWL15-103	82.5	316	80	TWL30-120	99	400	109
								TWL8-092	73.5	277	72	TWL15-105	82.5	316	80	TWL30-122	99	400	109
								TWL8-094	73.5	277	72	TWL15-106	82.5	316	80	TWL30-123	99	400	109
								TWL8-095	73.5	277	72	TWL15-108	82.5	316	80	TWL30-124	99	400	109
								TWL8-097	73.5	277	72	TWL15-110	87.5	316	80	TWL30-125	99	400	109
								TWL8-099	73.5	277	72	TWL15-111	87.5	316	80	TWL30-127	99	400	109
								TWL8-100	73.5	277	72	TWL15-113	87.5	316	80	TWL30-129	105	400	109
												TWL15-114	87.5	316	80	TWL30-130	105	400	109
												TWL15-115	87.5	316	80	TWL30-132	105	400	109
												TWL15-116	87.5	316	80	TWL30-133	105	400	109
																TWL30-135	105	400	109
																TWL30-138	110	400	109
																TWL30-140	110	400	109
																TWL30-141	110	400	109
																TWL30-143	110	400	109
																TWL30-144	110	400	109
																TWL30-145	110	400	109
																TWL30-146	110	400	109
																TWL30-148	116	400	109
																TWL30-149	116	400	109
																TWL30-150	116	400	109
																TWL30-151	116	400	109
																TWL30-152	116	400	109
																TWL30-154	116	400	109
																TWL30-155	116	400	109

Hidrolik Tork Pompaları

Hydraulic Torque Pumps

PE39

Kompakt Tork Pompası



PE45 Infinity

Yüksek Performans Tork Pompaları



PE45 Infinity
Soğutucu opsiyoneldir.