

SPX

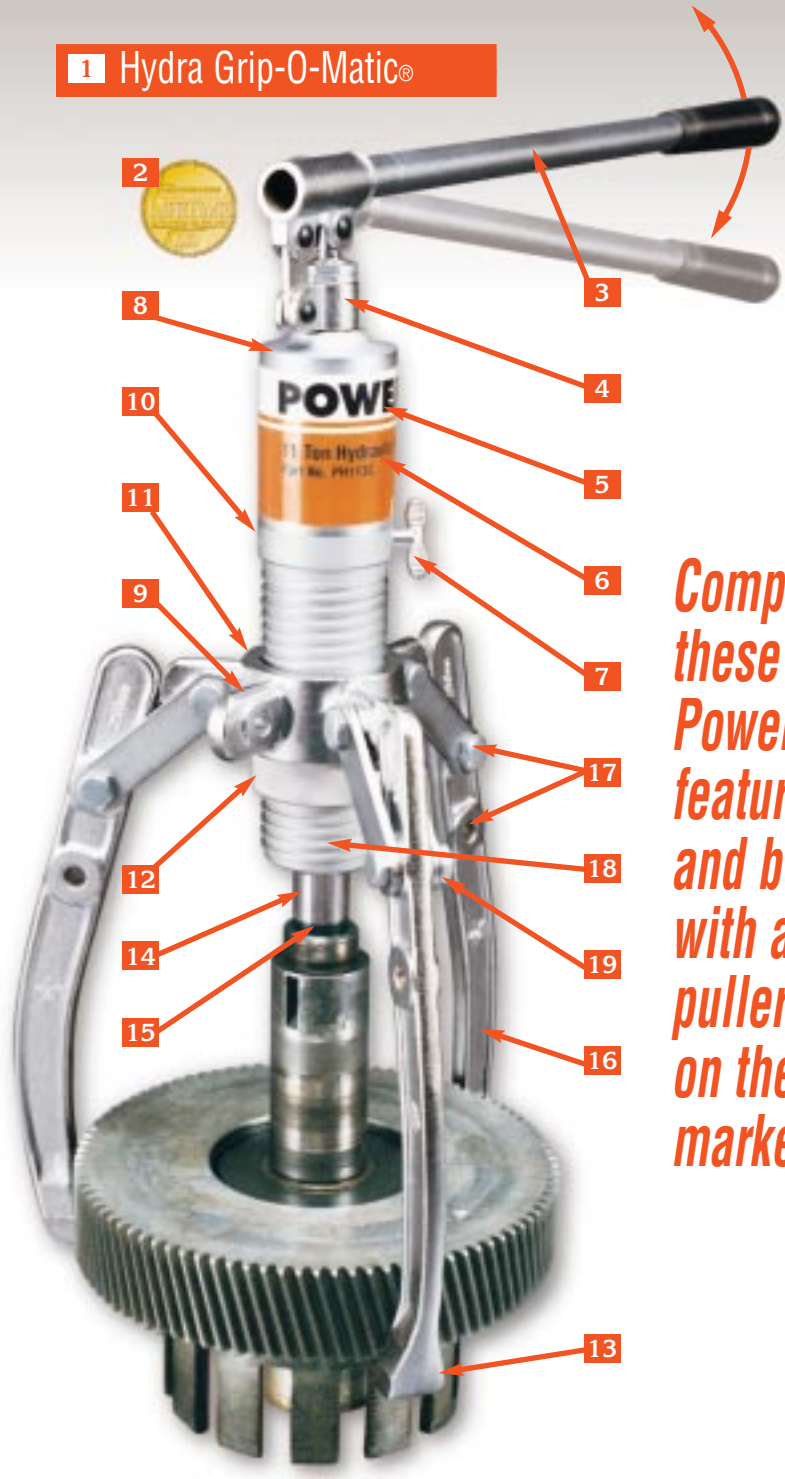
POWER TEAM

HYDRA GRIP-O-MATIC®

Hydraulic Gear and
Bearing Pullers



1 Hydra Grip-O-Matic®



Compare these Power Team features and benefits with any pullers on the market:

7 Easily metered release valve control knob

Provides for retraction of cylinder rod

8 Bright chrome finish

Resists corrosion

9 2/3-way combination puller head

Provides the stability of the 3-jaw puller plus the 2-jaw option where space limitations require it. Always use the 3-jaw combination wherever possible. Three jaws give a more secure grip and more even pulling force. Its like getting two pullers for the price of one.



10 Integral safety relief valve

Prevents overloading puller

11 Heat treated forged alloy steel head

Provides maximum strength and durability

12 Rapid adjustment

Acme thread and knurled adjusting nut provides for rapid adjustment of the hydraulic cylinder to the work surface.

13 Machined and serrated puller jaws

Improves grip on part being pulled



14 Heat treated and chrome plated hydraulic cyl. rod provides linear force

Eliminates torque and friction forces encountered in conventional screw type pullers

15 Spring loaded live centering cone (removable)

Centers puller on shafts with drilled centers and automatically retracts when pressing against plain or rusted shaft ends. Helps keep puller on the shaft when assembling puller on the parts to be pulled



1 Grip-O-Matic® design

The harder the pulling force, the tighter the jaws grip for improved holding force.

2 Covered by Power Team's exclusive Lifetime Marathon Warranty

You are assured of a high quality, reliable product

3 Removable handle

Provides for compact storage of the unit in the included tough plastic carrying case



4 360° Rotatable pump handle

Provides flexibility to position handle in most convenient pumping position

5 Self-contained hydraulic pump and puller

Eliminates the clutter of a separate pump, hose and puller

6 Bladder type oil reservoir

Allows unit to be operated in any position/orientation

16 Heat treated forged alloy steel jaws

Provides strength and durability

17 Multiple cross bolt mountings

Provides additional versatility

18 Spring return hydraulic cylinder

Provides rapid retraction of cylinder rod upon completion of the pull

19 Heat treated alloy steel cross bolts

Provides maximum shear strength

SPX POWER TEAM

No. PH63C

6 Tons



No. PH83C

8 Tons



No. PH113C

11 Tons



Pick the Hydra Grip-O-Matic® Jaw Type Puller that's right for you!

These pullers are ideal for pulling a wide variety of press-fit parts including bushings, wheels, bearings, gears and pulleys. Applications for the pullers will be found in motor repair shops, steel mills, mines, quarries, ship yards, utilities, maintenance shops, agricultural machinery repair, and the list goes on.

- Power Team, the leader in pulling tools for over 70 years, now adds three patented, self contained, pulling systems to the world's most complete line of innovative pulling equipment.
- These self contained portable pulling systems include a 2-way/3-way puller, hydraulic cylinder, and multi-directional hand pump all in one compact, light-weight unit complete with carrying case.

- Among the many features, these pullers offer the often copied Power Team Grip-O-Matic® design....The harder the pulling force, the tighter the jaws grip for improved holding force
- Power Team pullers have been rigorously tested for top performance and reliability at maximum capacity and jaw spread.
- These pulling systems are covered by Power Team's exclusive Lifetime Marathon Warranty - assuring you of the highest quality and reliability.

See ordering information on back page

IMPORTANT SAFETY INFORMATION –
Power Team recommends the use of protective blankets for all pulling operations. For ease of visual clarity, we have shown the puller application photos without these safeguards.



Hydraulic Grip-O-Matic pullers are much easier to operate than manual pullers



A manual gear puller requires considerable torque to loosen gear

Optional Longer Jaws available

see chart on back page

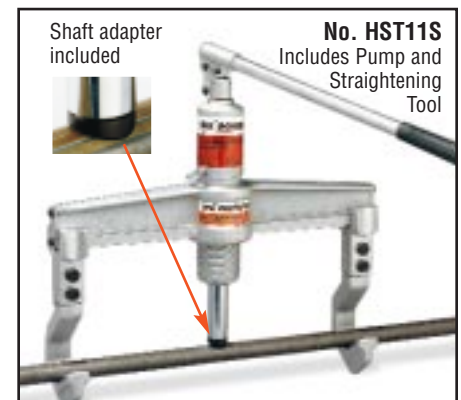


No. HST11

Used with No. PH113C Puller (not included)

Puller Accessory converts PH113C into a Hydraulic Straightening Tool

Portable...Good for straightening mechanical shafts, round bars, etc. Simply remove pump and cylinder from puller head and insert them into the straightening tool accessory. (See photo at right) This product is widely used in steel mills, wire roll companies, wire extruding companies, textile industry, and any straightening situation where portability and power are required. Contoured heat-treated shaft adapter included.



Shaft adapter included

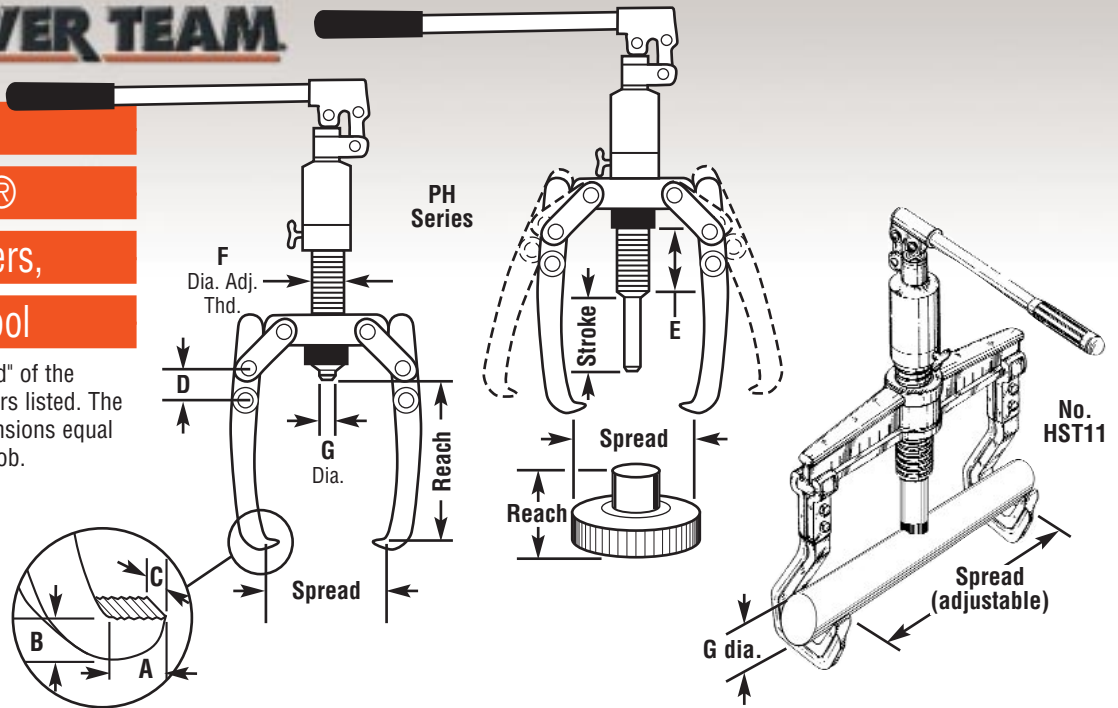
No. HST11S
Includes Pump and Straightening Tool

6, 8 & 11 ton

Hydra Grip-O-Matic®

Gear & Bearing Pullers,
and Straightening Tool

Compare the "reach" and "spread" of the pulling job with that of the pullers listed. The puller selected must have dimensions equal to or greater than those of the job.



ORDERING INFORMATION

See current price list for shipping weights.

Cylinder Capacity	ORDER NO.	Reach	Spread	Stroke	A	B	C	D	E	F	G	Product Weight	Weight w/case
6 tons 5442 kg	PH63C	6 in. 152 mm	7.88 in. 200 mm	3.125 in. 80 mm	.44 in. 11 mm	.25 in. 6 mm	.88 in. 22 mm	1.125 in. 32 mm	3.25 in. 83 mm	1.66 in. 42 mm	.875 in. 22 mm	10.8 lbs. 4.9 kg.	13.7 lbs. 6.2 kg.
8 tons 7256 kg	PH83C	7.5 in. 190 mm	9.81 in. 250 mm		.56 in. 14 mm	.375 in. 10 mm	1 in. 25 mm	2 in. 51 mm		1.97 in. 50 mm	14.5 lbs. 6.6 kg.	18.6 lbs. 8.4 kg.	
11 tons 9979 kg	PH113C	9 in. 229 mm	11 in. 280 mm		.56 in. 14 mm	1.13 in. 29 mm	2.375 in. 60 mm	17.6 lbs. 8.0 kg.		20.6 lbs. 9.4 kg.			
11 tons 9979 kg	HST11S Same cylinder as PH113C puller	-	Max. 16.125 in. 410 mm	-	-	-	-	-	-	Max. 2.375 in. 60 mm	32.0 lbs. 14.5 kg.	-	-
11 tons 9979 kg	HST11 Used with PH113C puller (not included)	-	Min. 4.0 in. 101.6 mm	-	-	-	-	-	-	-	24.8 lbs. 11.2 kg. (tool only)	-	-

Use with PULLER NO.	Optional Puller Jaws					
	JAW PART NO.	Reach	Increase	Spread	Product Weight	
PH83C	STANDARD JAW	252921	7.50 in. / 190.5 mm	-	9.81 in. / 249 mm	1.4 lbs. / .638 kg.
	LONG JAWS	252922	9.00 in. / 228.6 mm	1.50 in. / 38.1 mm	10.00 in. / 254 mm	1.7 lbs. / .787 kg.
		30902	12.50 in. / 317.5 mm	5.00 in. / 127 mm	11.00 in. / 279.4 mm	3.0 lbs. / 1.36 kg.
PH113C	STANDARD JAW	252922	9.00 in. / 228.6 mm	-	11.00 in. / 279.4 mm	1.7 lbs. / .787 kg.
	LONG JAWS	30902	12.50 in. / 317.5 mm	3.50 in. / 88.9 mm	12.50 in. / 317.5 mm	3.0 lbs. / 1.36 kg.

PATENT #s : USA #5,233,740; Canada #2052729; Germany #G9114718.2; Korea #79208607 and #95-16522; Taiwan #40137 and #60151; P.R.C. #ZL 93211036.3; Japan #3-106430; other patents pending.

UNITED STATES

SPX Corporation
2121 West Bridge Street
PO Box 993
Owatonna, MN 55060-0993
Telephone: 1-507-455-7100
Cust. Service/Order Entry
Tel: 1-800-541-1418
FAX: 1-800-288-7031
E-mail:
pwr_team@powerteam.com

Technical Services
Tel: 1-800-477-8326
FAX: 1-800-765-8326 or
1-507-455-7160

International Sales:
Tel: 1-507-455-7150
FAX: 1-507-455-7122

AUSTRALIA

7 Expo Court
Mount Waverley
Victoria 3149
Australia
Tel: 61 (3) 95628800
FAX: 61 (3) 95628080
E-mail:
spxaust@hotmail.net.au

BRAZIL

Av. N Sra. do Sabará, 4901
São Paulo, SP 04447-021
Brasil
Tel: 55 (11) 246-4177
FAX: 55 (11) 246-2793

EUROPE

Klarenanstelerweg 5 D
6468 EP Kerkrade
Netherlands
Tel: 31 (45) 5678877
FAX: 31 (45) 5678878
E-mail:
power.team.nl@wxs.nl

FAR EAST

36 Joo Koon Circle
Singapore 629061
Singapore
Tel: (65) 862 2522
FAX: (65) 862 4633
E-mail:
pwr_team@pacific.net.sg

JAPAN

5-53 Minowacho
2 Chome,
Kohoku-ku, Yokohama,
Kanagawa 223-0051
Japan
Tel: 81 (45) 562-7700
FAX: 81 (45) 562-7800

KOREA

Anyang P.O. Box 50
Kyounggi-Do
South Korea 430-600
Tel: 82-343-391-0209
FAX: 82-343-396-5373
E-mail:
ptkor@mail.hitel.net

UNITED KINGDOM

Unit 1A Park Road
Industrial Estate
Consett
County Durham DH8 5PU
United Kingdom
Tel: 44 1207 507077
FAX: 44 1207 506938
E-mail:
ptuk@powerteam.com

INTERNET

http://www.powerteam.com
PT 9706

Replace w/ UPC CODE