



"innovation in its most functional form"

PRODUCT DATA SHEET

FA4TM

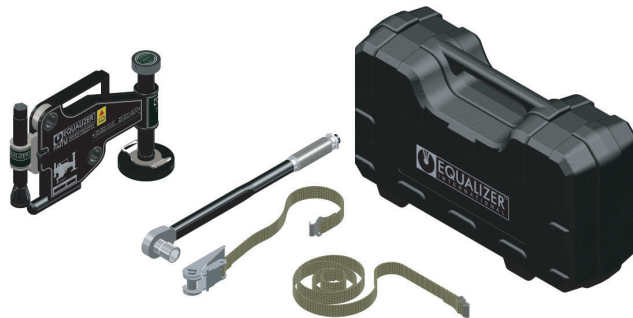
MECHANICAL FIXED FLANGE AND ROTATIONAL ALIGNMENT TOOL

ALIGNING FORCE:
50ft/lbs (33Nm) = 4 T (40 kN)

TOOL WEIGHT = 8.6 kg (19 lbs)

KIT COMPONENTS

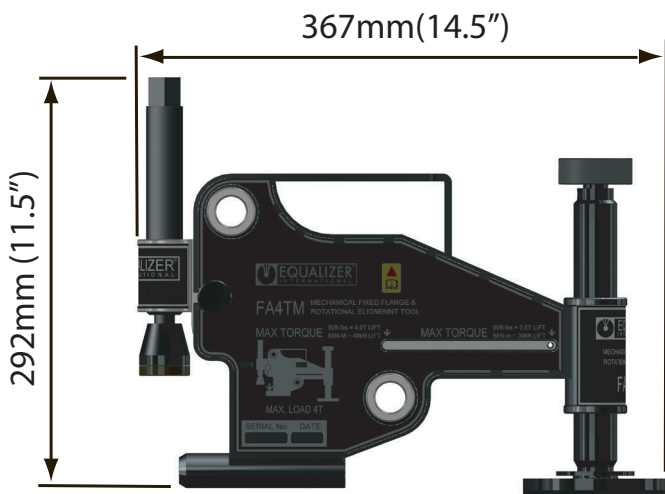
- 1 x FA4TM Tool
 - 1 x 50ft/lbs Torque Wrench
 - 1 x 22mm Socket
 - 1 x Ratchet Strap
 - 1 x Instruction Manual
 - 1 x Carry-Case
- Product Code: FA4TMSTD



WEIGHTS AND DIMENSIONS

- Tool Weight = 8.6 kg (19 lbs)
- Case Weight = 2.5 kg (5.5 lbs)
- Gross Weight = 11.7 kg (25.8 lbs)

Carry-Case Dimensions:
600 x 370 x 200mm
(23.6"x14.6"x7.9")



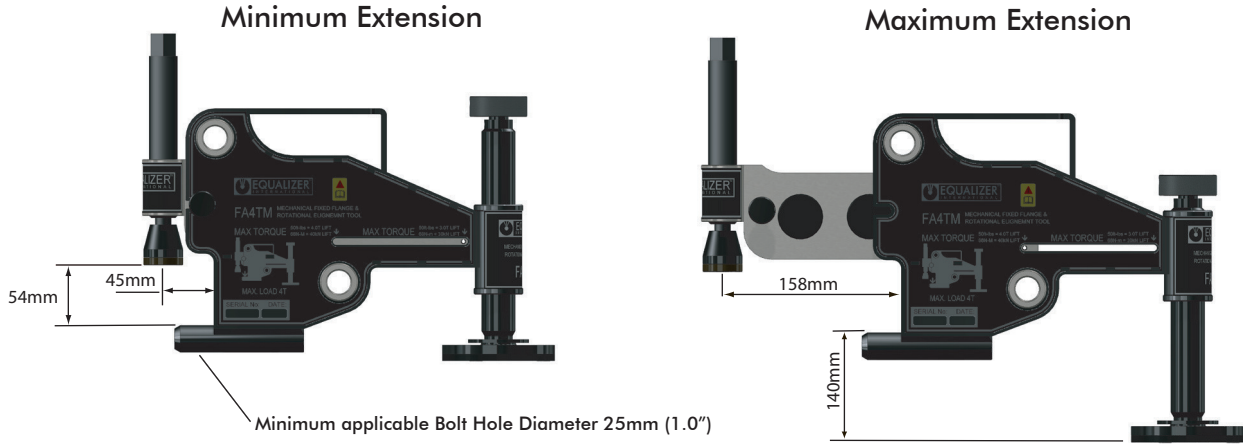
info@equalizerinternational.com
www.equalizerinternational.com

FA4™

MECHANICAL FIXED FLANGE AND
ROTATIONAL ALIGNMENT TOOL



"Innovation in its most functional form"



RANGE OF APPLICATION

ASME Weld neck

Class	150	300	400	600	900	1500	2500
Range	16" - 30"	8" - 26"	4" - 24"	4" - 20"	2 1/2" - 14"	2" - 8"	1 1/4" - 4"

DIN Weld neck

Class	PN16	PN25	PN40	PN64	PN100	PN160
Range	24" - 80"	14" - 40"	14" - 20"	6" - 16"	4" - 8"	3" - 7"

SPO compact Weld neck

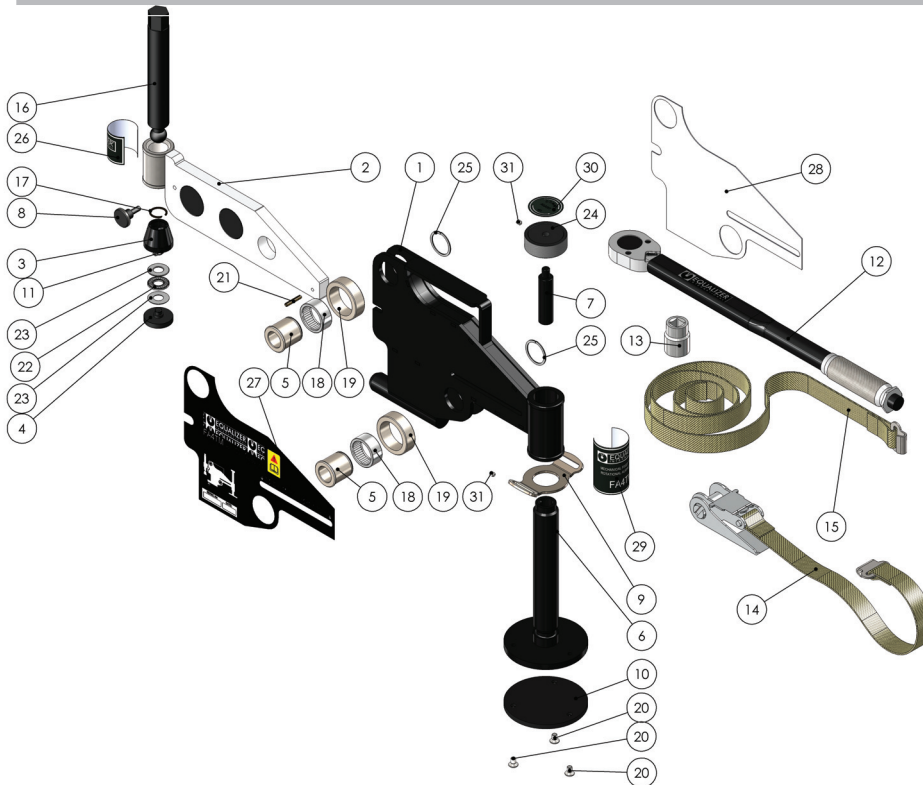
Class	150	300	600	900	1500	2500	5000	7500	10000	15000
Range	36" - 48"	20" - 34"	12" - 24"	10" - 20"	5" - 12"	3" - 10"	5" - 10"	3" - 8"	4" - 8"	2 1/2" - 5"

BS10 Weld neck

Class	A	D	E	F	H	J	K	R	S	T
Range	45" - 72"	33" - 48"	24" - 40"	20" - 36"	12" - 24"	5" - 16"	5" - 12"	5" - 10"	4" - 7"	3" - 5"

API 6B&6BX Weld Neck

Class	2000	3000	5000	10000	15000	20000
Range	4 1/16" - 9"	2 1/16" - 4 1/16"	2 1/16" - 4 1/16"	2 9/16" - 5 1/8"	1 13/16" - 3 1/16"	1 13/16" - 2 1/16"



ITEM	PART No.	DESCRIPTION	QUANTITY
1	220100-01	- MAIN BODY	01
2	401001-01	- SLIDING ARM	01
3	220300-01	- SWIVEL	01
4	220400-01	- FRICTION PAD	01
5	220500-01	- ROLLER SHAFT	02
6	220600-01	- LEG SCREW	01
7	220700-01	- LEG SCREW	01
8	230203-01	EXTENSION - M6 RELEASE KNOB	01
9	230802-01	- BUCKLE	01
10	230803-01	- ROUND BASE PAD	01
11	212000-01	- SPRING RING 8MM	01
12	400203-01	- TORQUE WRENCH	01
13	400204-01	- 22 MM SOCKET	01
14	400270-01	- RATCHET	01
15	400280-01	- RATCHET STRAP	01
16	400301-01	- SCREW BOLT	01
17	400401-01	- SPRING CLIP	01
18	401501-01	- NEEDLE BEARING	02
19	401601-01	- OUTER ROLLER	02
20	402601-01	- CTRS SCREW M6X10	03
21	403201-01	- ROLLER PIN	01
22	404701-01	- THRUST RACE	01
23	404801-01	- THRUST WASHER	02
24	713001-01	- RELEASE KNOB	01
25	901601-01	- SPIROL CLIP	02
26	070004-01	- LOGO FOR WING	01
27	070270-01	- BODY PLATE STICKER LEFT	01
28	070271-01	- BODY PLATE STICKER RIGHT	01
29	070272-01	- EQUALIZER LOGO FOR BOSS	01
30	070273-01	- DROP LEG KNOB STICKER	01
31	300401-01	- M5X6 Socket Set Scrw.	01