

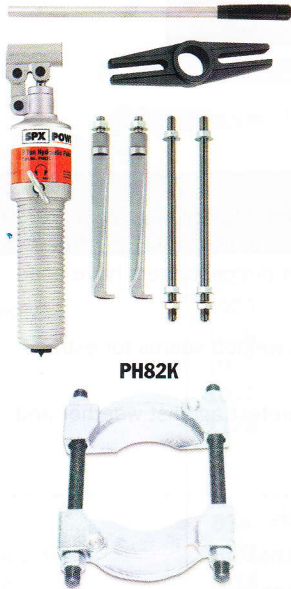
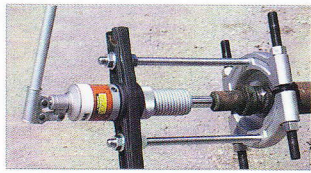
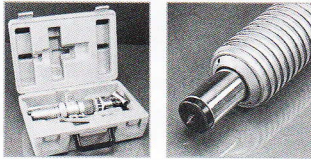
# Hydra Grip-O-Matic®

USE WITH 2/3 JAW PULLERS

6, 8, 11 & 30 Ton

A self contained pulling system in a compact package

PULLERS



PH303C

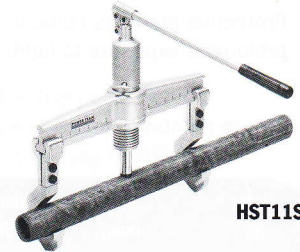


PH63C

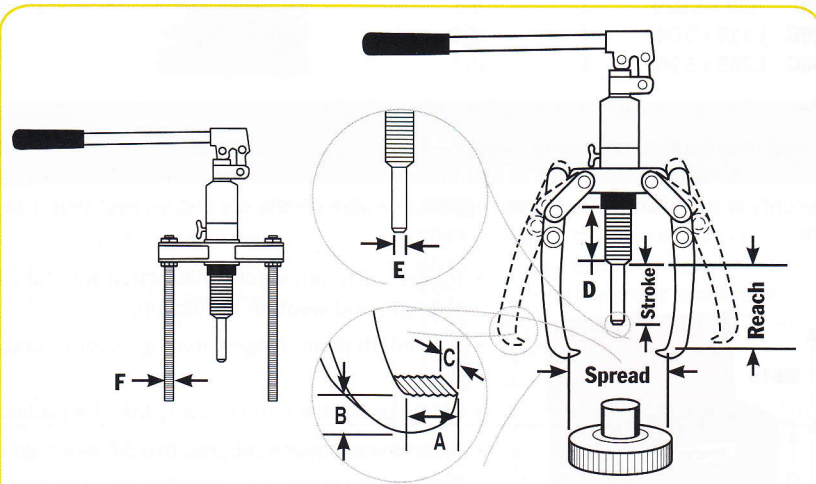


- You get the world's most copied puller design; the harder the pulling force, the tighter the jaws grip for secure holding force.
- Power Team pullers are tested for top performance and reliability at maximum capacity and jaw spread.
- Removing a wide variety of gears, bearings, bushings, pulleys and other press-fitted parts becomes a routine task.
- Easily metered release valve control knob.
- Spring loaded live centering cone.
- Bladder type oil reservoir.
- Rapid adjustment.
- Use with 2 or 3 jaws.
- Supplied with a sturdy storage/carrying case.
- Features Power Team's exclusive Marathon Limited Lifetime Warranty

**Hydra Grip-O-Matic® pulling system** - These pullers are ideal for pulling a wide variety of press-fitted parts including bushings, bearings, wheels, gears and pulleys. Applications can be found in a wide variety of industries as well. Grip-O-Matic® pullers have been rigorously tested for top performance and reliability. PH82K is a complete pulling system which includes a hydraulic power module, 2-way puller head, jaws, legs and bearing splitter attachment; all contained in a convenient carrying case.



HST11S



Cyl. Cap. (tons)	Order No.	Reach		Min. Reach (mm)	Max. Studs (mm)	Spread Jaws (mm)	Stroke (mm)	A (mm)	B (mm)	C (mm)	D (mm)	E (mm)	F (in.)	Wt.
		Studs (mm)	Jaws (mm)											
6	PH63C	--	152	--	--	200	80	11	6,4	22	83	22	--	4,9
8	PH83C	--	190	--	--	249	80	11	9,5	25,4	83	22	--	6,6
15	PH113C	--	229	--	--	280	80	14,3	9,5	29	83	29	--	8,0
30	PH303C	266,7	375	--	--	540	110	27	36,5	38	170	54	5/8-18 UNF	32,3
8	PH82K	266,7	207	125	300	245	80	52	25,4	16	83	22	5/8-18 UNF	9,5
11	HST11S	--	150	--	--	102-410	80	--	--	--	65	29	--	14,5