

TORQUE WRENCH

LOW CLEARANCE - TWLC

Max Torque 39,047 Nm at 700 bar
(28,800 lb-ft at 10,000 psi)



Shown with optional handle

TORQUE WRENCH LOW CLEARANCE

The TWLC Series Wrench was designed for the most inaccessible bolting areas found in the industry. Its long neck, short height and small radius have all added to its great success.



Several link sizes are available for each drive.

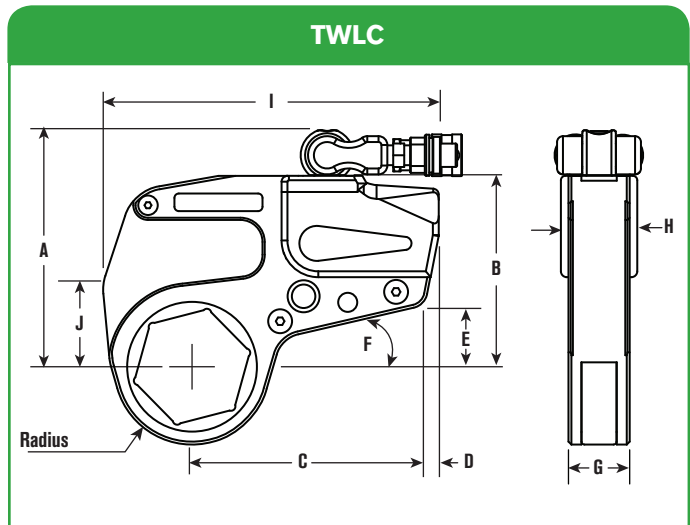
Combine a drive body with a link to make a wrench. Each are sold separately.

OK FOR SUBSEA



Specifications and Dimensional Data

- Low weight, high strength design
- Superior torsional strength
- Fast operation cycle
- Fine tooth ratchet
- Floating piston design
- Link pin does not fall out
- Auto-connect drive piston
- Compact frame size
- Rigid steel body construction
- Swivel manifold internal relief valve prevents retract side over-pressurization
- "Hardened" steel reaction pad on TWLC8, 15 & 30
- Small nose radius
- Corrosion resistant finish
- Multi-axis high flow swivel manifold
- Simple design
- Consistent torque output



- Quick interchangeable heads, no tools necessary
- Replaceable reaction pad on larger models

Body Order No.	A		B		C		D		E		F		G		H	
	in	mm	in	mm	in	mm	in	mm	in	mm	in	mm	in	mm	in	mm
TWLC2	3.8	97	4.1	103	5	128	0.3	8	1.4	35	0.5	13	1.3	32	1.7	42
TWLC4	4.7	120	5.1	130	6.3	159	0.4	9	1.7	43	0.5	13	1.7	42	2	52
TWLC8	5.8	147	6.2	158	7	177	1	24.5	1.6	40	0.6	14	2.1	54	2.6	67
TWLC15	6.9	174	7.3	186	7.9	200	1.1	27	1.7	43	0.6	14	2.5	63	3	76
TWLC30	8.8	223	9.4	239	10.5	267	1	26	2.4	62	0.6	15	3.2	82	3.7	94

Body Order No.	Hex Range				Min Torque		Max. Torque		Weight (Body Only)	
	in	in	mm	mm	lb. ft.	Nm	lb-ft	Nm	lb	kg
TWLC2	1-1/8	2-3/8	26	60	189	256	1,575	2,134	2.2	1.0
TWLC4	1-5/16	3-1/8	33	80	477	646	3,975	5,386	4.4	2.0
TWLC8	1-7/8	3-15/16	49	100	954	1,293	7,950	10,772	7.7	3.5
TWLC15	2-7/16	4-5/8	62	116	1,782	2,415	14,850	20,122	15.4	7.0
TWLC30	3-1/8	6-1/16	80	155	3,456	4,683	28,800	39,024	31.9	14.5

CAUTION: Always read operating manual before using for proper use of tools and accessories.

NOTE: Reference dimensions shown and vary by links size. Exact dimensions can be found on our website.

Ordering Information

TO SPECIFY A TWLC SOLUTION:

1. Find a link for your application (nut size) (page 28-29)
2. Choose the appropriate Drive body (page 27)
3. Add reducers for additional nut sizes (pages 30-31)

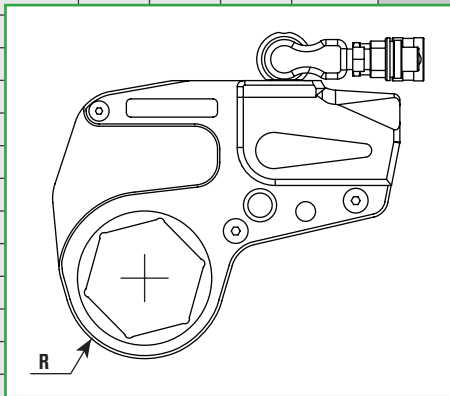
Please order Drive Body and Link separately and pay attention to the same size, for Example TWLC2 and TWL2-041.

TORQUE WRENCH

LOW CLEARANCE LINKS - TWLC

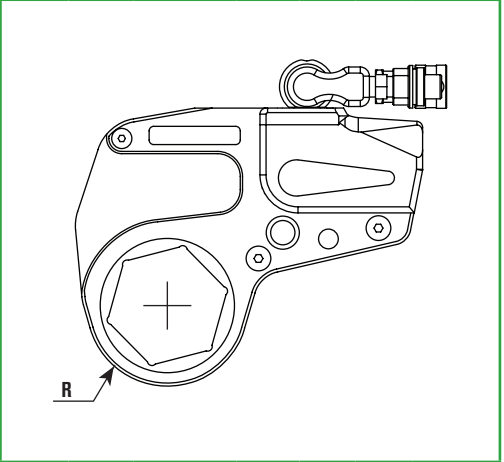
Parts Codes, Nose Radius

Nut A/F		Link Order No.	TWLC2				Link Order No.	TWLC4				Link Order No.	TWLC8															
Inch	Metric		Radius R mm (in)	I mm (in)	J mm (in)	Weight (Link Only) kg (lb)		Radius R mm (in)	I mm (in)	J mm (in)	Weight (Link Only) kg (lb)		Radius R mm (in)	I mm (in)	J mm (in)	Weight (Link Only) kg (lb)												
1-1/8	26	TWL2-026																										
1-3/16	30	TWL2-030																										
1-1/4	32	TWL2-032	31.5 (1.2)	180 (7.1)	38 (1.5)	2 (4.4)																						
1-5/16	33	TWL2-033																										
1-3/8	35	TWL2-035																										
1-7/16	36	TWL2-036																										
1-1/2	38	TWL2-150	34.5 (1.4)	181 (7.1)	40 (1.6)	2 (4.4)	TWL4-035	36.5 (1.4)	227 (8.9)	53 (2.1)	4 (8.8)																	
1-9/16	40	TWL2-040																										
1-5/8	41	TWL2-041																										
1-11/16	43	TWL2-043																										
1-3/4	44	TWL2-044	37 (1.5)	183 (7.2)	40 (1.6)	2 (4.4)	TWL4-043	39 (1.5)	227 (8.9)	53 (2.1)	4 (8.8)																	
1-13/16	46	TWL2-046																										
1-7/8		TWL2-188	40 (1.6)	185 (7.3)	43 (1.7)	2 (4.4)	TWL4-044	42 (1.7)	227 (8.9)	53 (2.1)	4 (8.8)	TWL8-188	50.5 (2.0)	274 (10.8)	77 (3.0)	7 (15.4)												
1-15/16	49	TWL2-049																										
2	50	TWL2-050																										
2-1/16	52	TWL2-052	42.5 (1.7)	185 (7.3)	43 (1.7)	2 (4.4)	TWL4-050	44.5 (1.8)	227 (8.9)	53 (2.1)	4 (8.8)	TWL8-052	50.5 (2.0)	274 (10.8)	77 (3.0)	7 (15.4)												
2-1/8	54	TWL2-054																										
2-3/16	55	TWL2-055																										
2-1/4	57	TWL2-057	45.5 (1.8)	185 (7.3)	43 (1.7)	2 (4.4)	TWL4-054	47.5 (1.9)	227 (8.9)	53 (2.1)	4 (8.8)	TWL8-054	50.5 (2.0)	274 (10.8)	77 (3.0)	7 (15.4)												
2-5/16	59	TWL2-059																										
2-3/8	60	TWL2-060																										
2-7/16	62																											
2-1/2	63																											
2-9/16	65																											
2-5/8	67																											
2-11/16	68																											
2-3/4	70																											
2-13/16	71																											
2-7/8	73																											
2-15/16	75																											
3	77																											
3-1/16	78																											
3-1/8	80																											
3-3/16	81																											
3-1/4	83																											
3-5/16	84																											
3-3/8	85																											
3-7/16	87																											
3-1/2	89																											
	90																											
3-9/16	91																											
3-5/8	92																											
3-11/16	94																											
3-3/4	95																											
3-13/16	97																											
3-7/8	99																											
3-15/16	100																											



MORE SOLUTIONS ON NEXT PAGE

Nut A/F		Link Order No.	TWL15				TWL30				Nut A/F		Link Order No.	TWL30 (Continued)				
Inch	Metric		Radius R	I	J	Weight (Link Only)	Link Order No.	Radius R	I	J	Weight (Link Only)	Inch		Metric	Radius R	I	J	Weight (Link Only)
			mm (in)	mm (in)	mm (in)	kg (lb)		mm (in)	mm (in)	mm (in)	kg (lb)			mm (in)	mm (in)	mm (in)	kg (lb)	
2-7/16	62	TWL15-062										4-13/16	122	TWL30-122				
2-1/2	63	TWL15-063											123	TWL30-123				
2-9/16	65	TWL15-065	60.5	313	88	12.5						4-7/8	124	TWL30-124	99	400	109	28.5
2-5/8	67	TWL15-067	(2.4)	(12.3)	(3.5)	(27.5)						4-15/16	125	TWL30-125	(3.9)	(15.7)	(4.3)	(62.7)
2-11/16	68	TWL15-068										5	127	TWL30-500				
2-3/4	70	TWL15-070										5-1/16	129	TWL30-129				
2-13/16	71	TWL15-071										5-1/8	130	TWL30-130				
2-7/8	73	TWL15-073	63	313	88	12.5						5-3/16	132	TWL30-132	105	400	109	28.5
2-15/16	75	TWL15-075	(2.5)	(12.3)	(3.5)	(27.5)						5-1/4	133	TWL30-133	(4.1)	(15.7)	(4.3)	(62.7)
3	77	TWL15-077										5-5/16	135	TWL30-135				
3-1/16	78	TWL15-313	66.5	313	88	13						5-3/8		TWL30-538				
3-1/8	80	TWL15-080	(2.6)	(12.3)	(3.5)	(28.6)						5-7/16	138	TWL30-138				
3-3/16	81	TWL15-081					TWL30-080					5-1/2	140	TWL30-140				
3-1/4	83	TWL15-083					TWL30-081					5-9/16	141	TWL30-141				
3-5/16	84	TWL15-084					TWL30-083					5-5/8	143	TWL30-143	110	400	109	28.5
3-3/8	85	TWL15-085	72	313	8	13.5	TWL30-084	77	393	104	26.5	5-11/16	144	TWL30-144	(4.3)	(15.7)	(4.3)	(62.7)
3-7/16	87	TWL15-087	(2.8)	(12.3)	(0.3)	(29.7)	TWL30-085	(3.0)	(15.5)	(4.1)	(58.3)		145	TWL30-145				
3-1/2	89	TWL15-089					TWL30-087					5-3/4	146	TWL30-146				
	90	TWL15-090					TWL30-089					5-13/16	148	TWL30-148				
3-9/16	91	TWL15-091					TWL30-090					5-7/8	149	TWL30-149				
3-5/8	92	TWL15-092					TWL30-091						150	TWL30-150				
3-11/16	94	TWL15-094	78	316	80	13.5	TWL30-092	83	393	104	26.5	5-15/16	151	TWL30-151	116	400	109	29.5
3-3/4	95	TWL15-095	(3.1)	(12.4)	(3.1)	(29.7)	TWL30-094	(3.3)	(15.5)	(4.1)	(58.3)	6	152	TWL30-152	(4.6)	(15.7)	(4.3)	(64.9)
3-13/16	97	TWL15-097					TWL30-095					6-1/16	154	TWL30-154				
3-7/8	99	TWL15-388					TWL30-097					6-1/8	155	TWL30-155				
3-15/16	100	TWL15-100					TWL30-388											
4	102	TWL15-102					TWL30-100											
4-1/16	103	TWL15-103	82.5	316	80	14	TWL30-102											
4-1/8	105	TWL15-105	(3.2)	(12.4)	(3.1)	(30.8)	TWL30-103	89	393	104	27.5							
4-3/16	106	TWL15-106					TWL30-105	(3.5)	(15.5)	(4.1)	(60.5)							
4-1/4	108	TWL15-425					TWL30-106											
4-5/16	110	TWL15-110					TWL30-425											
4-3/8	111	TWL15-111					TWL30-110											
4-7/16	113	TWL15-113					TWL30-111											
4-1/2	114	TWL15-114	87.5	316	80	14	TWL30-113	92	393	104	27.5							
	115	TWL15-115	(3.4)	(12.4)	(3.1)	(30.8)	TWL30-114	(3.6)	(15.5)	(4.1)	(60.5)							
4-9/16	116	TWL15-116					TWL30-115											
4-5/8		TWL15-463					TWL30-116											
4-11/16	119						TWL30-463											
4-3/4	120						TWL30-119	99	400	109	28.5							
							TWL30-120	(3.9)	(15.7)	(4.3)	(62.7)							

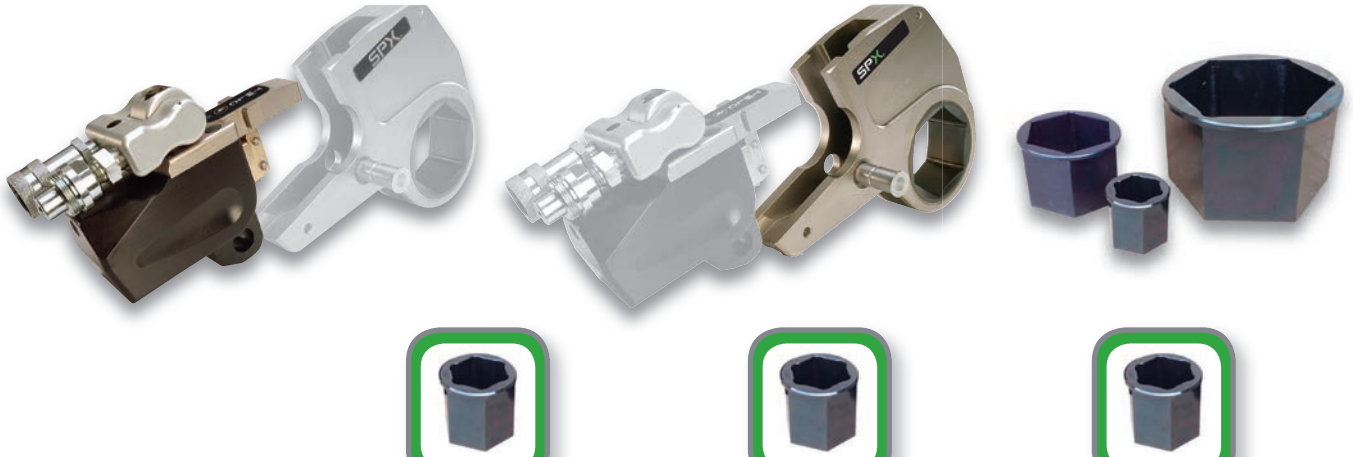


MORE SOLUTIONS ON NEXT PAGE

TORQUE WRENCH LOW CLEARANCE REDUCERS - TWLC

Drive Body, Links & Reducers

Special sizes available upon request.



Specifications and Dimensional Data

Body Order No.	Link Order No.	Nut A/F		Reducer			Reducer			Reducer		
		in	mm	in	mm	Order No.	in	mm	Order No.	in	mm	Order No.
TWLC2	TWL2-032	1-1/4	32	-	-	-	-	-	-	-	-	-
	TWL2-036	1-7/16	36	-	-	-	-	-	-	-	-	-
	TWL2-041	1-5/8	41	1-5/8 - 1-7/16	41-36mm	TWR2-041036	1-5/8 - 1-1/4	41-32mm	TWR2-041032	-	-	-
	TWL2-046	1-13/16	46	1-13/16 - 1-5/8	46-41mm	TWR2-046041	1-13/16 - 1-7/16	46-36mm	TWR2-046036	1-13/16 - 1-1/4	46-32mm	TWR2-046032
	TWL2-050	2	50	2 - 1-13/16	50-46mm	TWR2-050046	2 - 1-5/8	50-41mm	TWR2-050041	2 - 1-7/16	50-36mm	TWR2-050036
	TWL2-055	2-3/16	55	2-3/16 - 2	55-50mm	TWR2-055050	2-3/16 - 1-13/16	55-46mm	TWR2-055046	2-3/16 - 1-5/8	55-41mm	TWR2-055041
	TWL2-060	2-3/8	60	2-3/8 - 2-3/16	60-55mm	TWR2-060055	2-3/8 - 2	60-50mm	TWR2-060050	2-3/8 - 1-13/16	60-46mm	TWR2-060046
TWLC4	TWL4-041	1-5/8	41	1-5/8 - 1-7/16	41-36mm	TWR4-041036	1-5/8 - 1-1/4	41-32mm	TWR4-041032	-	-	-
	TWL4-046	1-13/16	46	1-13/16 - 1-5/8	46-41mm	TWR4-046041	1-13/16 - 1-7/16	46-36mm	TWR4-046036	1-13/16 - 1-1/4	46-32mm	TWR4-046032
	TWL4-050	2	50	2 - 1-13/16	50-46mm	TWR4-050046	2 - 1-5/8	50-41mm	TWR4-050041	2 - 1-7/16	50-36mm	TWR4-050036
	TWL4-055	2-3/16	55	2-3/16 - 2	55-50mm	TWR4-055050	2-3/16 - 1-13/16	55-46mm	TWR4-055046	2-3/16 - 1-5/8	55-41mm	TWR4-055041
	TWL4-060	2-3/8	60	2-3/8 - 2-3/16	60-55mm	TWR4-060055	2-3/8 - 2	60-50mm	TWR4-060050	2-3/8 - 1-13/16	60-46mm	TWR4-060046
	TWL4-065	2-9/16	65	2-9/16 - 2-3/8	65-60mm	TWR4-065060	2-9/16 - 2-3/16	65-55mm	TWR4-065055	2-9/16 - 2	65-50mm	TWR4-065050
	TWL4-070	2-3/4	70	2-3/4 - 2-9/16	70-65mm	TWR4-070065	2-3/4 - 2-3/8	70-60mm	TWR4-070060	2-3/4 - 2-3/16	70-55mm	TWR4-070055
	TWL4-075	2-15/16	75	2-15/16 - 2-3/4	75-70mm	TWR4-075070	2-15/16 - 2-9/16	75-65mm	TWR4-075065	2-15/16 - 2-3/8	75-60mm	TWR4-075060
TWL4-080	3-1/8	80	3-1/8 - 2-15/16	80-75mm	TWR4-080075	3-1/8 - 2-3/4	80-70mm	TWR4-080070	3-1/8 - 2-9/16	80-65mm	TWR4-080065	
TWLC8	TWL8-060	2-3/8	60	2-3/8 - 2-3/16	60-55mm	TWR8-060055	2-3/8 - 2	60-50mm	TWR8-060050	2-3/8 - 1-13/16	60-46mm	TWR8-060046
	TWL8-065	2-9/16	65	2-9/16 - 2-3/8	65-60mm	TWR8-065060	2-9/16 - 2-3/16	65-55mm	TWR8-065055	2-9/16 - 2	65-50mm	TWR8-065050
	TWL8-070	2-3/4	70	2-3/4 - 2-9/16	70-65mm	TWR8-070065	2-3/4 - 2-3/8	70-60mm	TWR8-070060	2-3/4 - 2-3/16	70-55mm	TWR8-070055
	TWL8-075	2-15/16	75	2-15/16 - 2-3/4	75-70mm	TWR8-075070	2-15/16 - 2-9/16	75-65mm	TWR8-075065	2-15/16 - 2-3/8	75-60mm	TWR8-075060
	TWL8-080	3-1/8	80	3-1/8 - 2-15/16	80-75mm	TWR8-080075	3-1/8 - 2-3/4	80-70mm	TWR8-080070	3-1/8 - 2-9/16	80-65mm	TWR8-080065
	TWL8-085	3-3/8	85	3-3/8 - 3-1/8	85-80mm	TWR8-085080	3-3/8 - 2-15/16	85-65mm	TWR8-085065	3-3/8 - 2-3/4	85-70mm	TWR8-085070
	TWL8-090	3-1/2	90	3-1/2 - 3-3/8	90-85mm	TWR8-090085	3-1/2 - 3-1/8	90-80mm	TWR8-090080	3-1/2 - 2-15/16	90-75mm	TWR8-090075
	TWL8-095	3-3/4	95	3-3/4 - 3-1/2	95-90mm	TWR8-095090	3-3/4 - 3-3/8	95-85mm	TWR8-095085	3-3/4 - 3-1/8	95-80mm	TWR8-095080
TWL8-100	3-7/8	100	3-7/8 - 3-3/4	100-95mm	TWR8-100095	3-7/8 - 3-1/2	100-90mm	TWR8-100090	3-7/8 - 3-3/8	100-85mm	TWR8-100085	

12 point links available upon request. Please contact factory.

Ordering Information

TO SPECIFY A TWLC SOLUTION:

1. Find a link for your application (nut size) (page 28-29)
2. Choose the appropriate Drive body (page 27)
3. Add reducers for additional nut sizes (pages 30-31)

Please order Drive Body and Link separately and pay attention to the same size, for Example TWLC2 and TWL2-041.



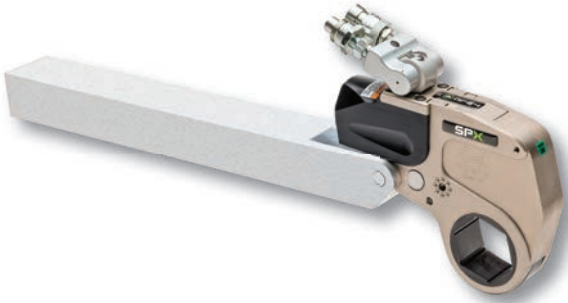
Specifications and Dimensional Data

Body Order No.	Link Order No.	Nut A/F		Reducer			Reducer			Reducer		
		in	mm	in	mm	Order No.	in	mm	Order No.	in	mm	Order No.
TWLC15	TWL15-070	2-3/4	70	2-3/4 - 2-9/16	70 - 65mm	TWR15-070065	2-3/4 - 2-3/8	70-60mm	TWR15-070060	2-3/4 - 2-3/16	70-55mm	TWR15-070055
	TWL15-075	2-15/16	75	2-15/16 - 2-3/4	75-70mm	TWR15-075070	2-15/16 - 2-9/16	75-65mm	TWR15-075065	2-15/16 - 2-3/8	75-60mm	TWR15-075060
	TWL15-080	3-1/8	80	3-1/8 - 2-15/16	80-75mm	TWR15-080075	3-1/8 - 2-3/4	80-70mm	TWR15-080070	3-1/8 - 2-9/16	80-65mm	TWR15-080065
	TWL15-085	3-3/8	85	3-3/8 - 3-1/8	85-80mm	TWR15-085080	3-3/8 - 2-15/16	85-65mm	TWR15-085065	3-3/8 - 2-3/4	85-70mm	TWR15-085070
	TWL15-090	3-1/2	90	3-1/2 - 3-3/8	90-85mm	TWR15-090085	3-1/2 - 3-1/8	90-80mm	TWR15-090080	3-1/2 - 2-15/16	90-75mm	TWR15-090075
	TWL15-095	3-3/4	95	3-3/4 - 3-1/2	95-90mm	TWR15-095090	3-3/4 - 3-3/8	95-85mm	TWR15-095085	3-3/4 - 3-1/8	95-80mm	TWR15-095080
	TWL15-100	3-7/8	100	3-7/8 - 3-3/4	100-95mm	TWR15-100095	3-7/8 - 3-1/2	100-90mm	TWR15-100090	3-7/8 - 3-3/8	100-85mm	TWR15-100085
	TWL15-105	-	105	-	105-100mm	TWR15-105100	-	105-95mm	TWR15-105095	-	105-90mm	TWR15-105090
	TWL15-425	4-1/4	-	4-1/4 - 3-7/8	-	TWR15-425388	4-1/4 - 3-3/4	-	TWR15-425375	4-1/4 - 3-1/2	-	TWR15-425350
	TWL15-110	-	110	-	110-105mm	TWR15-110105	-	110-100mm	TWR15-110010	-	110-95mm	TWR15-110095
	TWL15-115	-	115	-	115-110mm	TWR15-115110	-	115-105mm	TWR15-115105	-	115-100mm	TWR15-115100
TWL15-463	4-5/8	-	4-5/8 - 4-1/4	-	TWR15-463425	4-5/8 - 3-7/8	-	TWR15-463388	4-5/8 - 3-3/4	-	TWR15-463375	
TWLC30	TWL30-080	3-1/8	80	3-1/8 - 2-15/16	80-75mm	TWR30-080075	3-1/8 - 2-3/4	80-70mm	TWR30-080070	3-1/8 - 2-9/16	80-65mm	TWR30-080065
	TWL30-085	3-3/8	85	3-3/8 - 3-1/8	85-80mm	TWR30-085080	3-3/8 - 2-15/16	85-65mm	TWR30-085065	3-3/8 - 2-3/4	85-70mm	TWR30-085070
	TWL30-090	3-1/2	90	3-1/2 - 3-3/8	90-85mm	TWR30-090085	3-1/2 - 3-1/8	90-80mm	TWR30-090080	3-1/2 - 2-15/16	90-75mm	TWR30-090075
	TWL30-095	3-3/4	95	3-3/4 - 3-1/2	95-90mm	TWR30-095090	3-3/4 - 3-3/8	95-85mm	TWR30-095085	3-3/4 - 3-1/8	95-80mm	TWR30-095080
	TWL30-100	3-7/8	100	3-7/8 - 3-3/4	100-95mm	TWR30-100095	3-7/8 - 3-1/2	100-90mm	TWR30-100090	3-7/8 - 3-3/8	100-85mm	TWR30-100085
	TWL30-105	-	105	-	105-100mm	TWR30-105100	-	105-95mm	TWR30-105095	-	105-90mm	TWR30-105090
	TWL30-425	4-1/4	-	4-1/4 - 3-7/8	-	TWR30-425388	4-1/4 - 3-3/4	-	TWR30-425375	4-1/4 - 3-1/2	-	TWR30-425350
	TWL30-110	-	110	-	110-105mm	TWR30-110105	-	110-100mm	TWR30-110010	-	110-95mm	TWR30-110095
	TWL30-115	-	115	-	115-110mm	TWR30-115110	-	115-105mm	TWR30-115015	-	115-100mm	TWR30-115100
	TWL30-463	4-5/8	-	4-5/8 - 4-1/4	-	TWR30-463425	4-5/8 - 3-7/8	-	TWR30-463388	4-5/8 - 3-3/4	-	TWR30-463375
	TWL30-120	-	120	-	120-115mm	TWR30-120115	-	120-110mm	TWR30-120110	-	120-105mm	TWR30-120105
	TWL30-500	5	-	5 - 4-5/8	-	TWR30-500463	5 - 4-1/4	-	TWR30-500425	5 - 3-7/8	-	TWR30-500388
	TWL30-130	-	130	-	130-120mm	TWR30-130120	-	130-115mm	TWR30-130115	-	130-110mm	TWR30-130110
	TWL30-135	5-3/8	135	5-3/8 - 5	135-125mm	TWR30-135125	5-3/8 - 4-5/8	135-120mm	TWR30-135120	5-3/8 - 4-1/4	135-115mm	TWR30-135115
	TWL30-145	5-3/4	145									
	TWL30-150	-	150									
	TWL30-155	6-1/8	155									

AVAILABLE UPON REQUEST

TORQUE WRENCH REACTION ARMS - TWLC

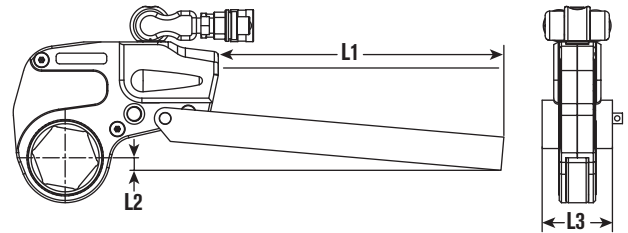
TWLC REACTION BAR TWLC-RB



- In-Line Extension Reaction Bar for TWLC wrench: allows extended reach on the same plane
- Pin engagement, no tools required
- Available for full range of tool sizes

SPX Bolting Systems offer a varied range of alternative and optional reaction accessories, which help to find a reaction point solution no matter how unusual the bolted application is.

Specifications and Dimensional Data



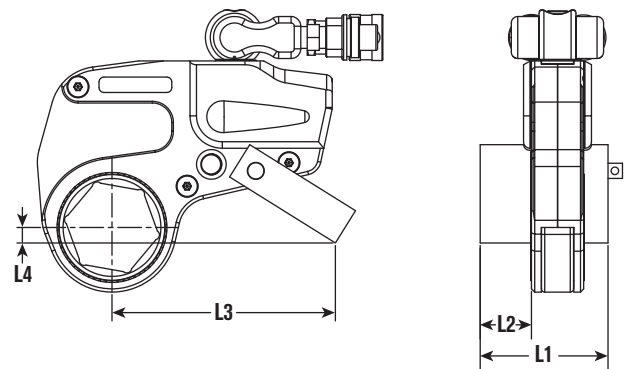
Tool Ref	Order No.	L1		L2		L3	
		mm	in	mm	in	mm	in
TWLC2	TWLC2-RB	381	15	28	1.10	55	2.17
TWLC4	TWLC4-RB	457	18	35	1.38	66	2.60
TWLC8	TWLC8-RB	457	18	37	1.46	85	3.35
TWLC15	TWLC15-RB	508	20	40	1.57	102	4.01
TWLC30	TWLC30-RB	508	20	35	1.38	127	5

TWLC REACTION PADDLE TWLC-RP



- Off-Set Reaction Arm for TWLC wrench: allows off-set reaction within wrench profile
- Pin engagement, no tools required
- Light alloy construction
- Available for full range of tool

Specifications and Dimensional Data



Tool Ref	Order No.	L1		L2		L3		L4	
		mm	in	mm	in	mm	in	mm	in
TWLC2	TWLC2-RP	84	3.31	35	1.38	142	5.59	13	0.51
TWLC4	TWLC4-RP	109	4.29	46	1.81	178	7.01	19	0.75
TWLC8	TWLC8-RP	136,5	5.37	57	2.25	220	8.66	26	1.02
TWLC15	TWLC15-RP	165	6.50	70	2.76	252	9.92	45	1.77
TWLC30	TWLC30-RP	200	7.874	86	3.39	317	12.48	44	1.73

**HAVE A UNIQUE APPLICATION?
DOES STANDARD PRODUCT NOT FIT?**



CUSTOM REACTION PADS AND REDUCERS ARE AVAILABLE.

Contact SPX or an authorized distributor for more details

**WHEN NOTHING ELSE WILL WORK,
SPLIT ADAPTERS ARE MADE TO
ORDER AND AVAILABLE UPON
REQUEST.**



**TWLC15 split adapter,
closed position**



**TWLC15 split adapter,
open position**