

PORTABLE CRANES



Type

DLR

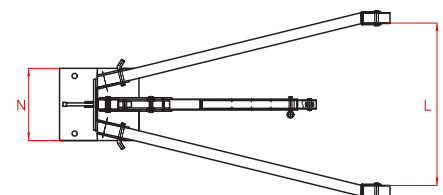
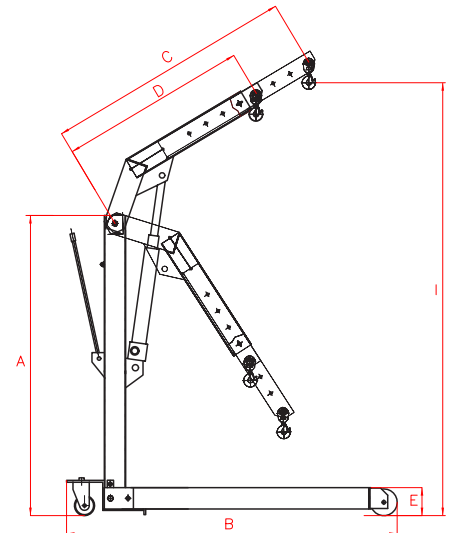
Capacity **650 - 2.000 kg**

Max. pressure **700 bar**

PORTABLE CRANES



- ✓ From 650 to 2.000 kg lifting capacity.
- ✓ Polyamide wheels and swivel rear castor for easy movement.
- ✓ Exceptionally versatile due to their compact dimensions when folded up.
- ✓ Fitted with a safety relief valve to prevent overloading.
- ✓ All models are fitted with an extendable jib to increase reach.
- ✓ Special lowering valve in all models for safer and better control of descent.
- ✓ If the knob is released accidentally, the arm stops.



| Model | 4 / 3 / 2 / 1 Jib position |
|---------------|-------------------------------|
| LARZEP | kg |
| DLR006 | 650 - 550 - 450 - 350 |
| DLR010 | 1.000 - 900 - 800 - 700 |
| DLR020 | 2.000 - 1.750 - 1.650 - 1.250 |

| Capacity | Model | A | B | C | D | E | I | L | N | Weight |
|--------------|---------------|-------|-------|-------|-------|-----|-------|-------|-----|--------|
| kg | LARZEP | mm | mm | mm | mm | mm | mm | mm | mm | kg |
| 650 | DLR006 | 1.580 | 1.480 | 1.300 | 960 | 112 | 2.200 | 820 | 530 | 83 |
| 1.000 | DLR010 | 1.580 | 1.580 | 1.300 | 960 | 112 | 2.200 | 970 | 530 | 99 |
| 2.000 | DLR020 | 1.740 | 1.920 | 1.610 | 1.200 | 150 | 2.460 | 1.080 | 700 | 175 |

DLR - F AUTOMOTIVE

