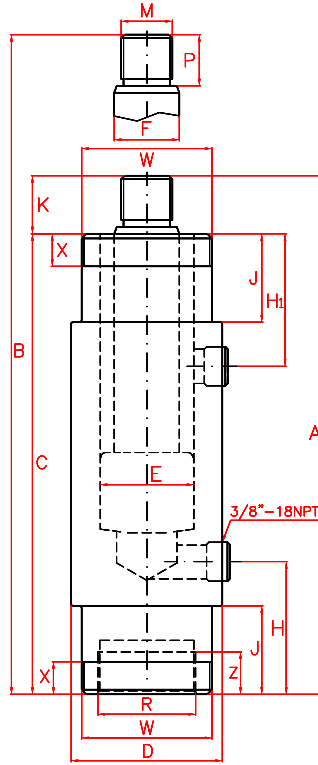




DM / DI Serisi Çift Etkili Endüstriyel Hidrolik Silindirler

DM / DI Double Acting Production Cylinders (Metric and Imperial Threads)



- 23 Ton** 4 tondan 53 tona kadar endüstriyel silindirler
- Maksimum 700 bar çalışma basıncı
- 260 mm'ye kadar stroke boyu seçeneği
- Metrik ve inç ölçüde bağlantı dişleri mevcuttur
- Kapsamlı aksesuar seçeneği ile çeşitli uygulamalarda kullanılır
- Çift etkili, gelişmiş, hızlı hidrolik sistem
- Kaliteli ve işahlı çelikten imal dayanıklı silindir gövdesi
- İmalat sektörü ihtiyaçlarına uygun olarak üretilmiştir

Capacity from 4 to 23 Tn, stroke up to 260 mm.

For carrying out push and pull operations.

Black nitrated to improve corrosion resistance.

Designed for long life in production applications.

Big range of mounting accessories: flange, mounting block, nut, clevis eye.

It is necessary the nut to fix the flange or the mounting block.

4 Tn cylinders have a 1/4" BSP thread for the couplers.

DM/DI models are not equipped with safety valve to prevent accidental over-pressure.

DM Serisi - Metric

| Kapasite Capacity | Model | Strok Stroke | Kapasite Cap. (kN) | | Yağ Hacmi Oil Cap. | A | B | C | D | E | F | H | H1 | K | J | M | P | R | W | X | Z | Ağırlık Weight |
|----------------------|---------|-----------------|-----------------------|---------------|-----------------------|-----|-----|-----|----|----|----|----|-----|----|----|---------|----|---------|---------|----|----|-------------------|
| Ton | LARZEP | mm | İtme Push | Çekme Pull | cm ³ | mm | mm | mm | mm | mm | mm | mm | mm | mm | mm | ** | mm | ** | ** | mm | mm | kg |
| 4 | DM00403 | 28 | 34 | 12 | 14 | 186 | 214 | 162 | 51 | 25 | 20 | 47 | 61 | 24 | 29 | M16x1.5 | 19 | M30x1.5 | M42x1.5 | 11 | 9 | 2 |
| 4 | DM00408 | 79 | 34 | 12 | 39 | 237 | 316 | 213 | 51 | 25 | 20 | 47 | 61 | 24 | 29 | M16x1.5 | 19 | M30x1.5 | M42x1.5 | 11 | 9 | 2.9 |
| 4 | DM00416 | 155 | 34 | 12 | 76 | 313 | 468 | 289 | 51 | 25 | 20 | 47 | 61 | 24 | 29 | M16x1.5 | 19 | M30x1.5 | M42x1.5 | 11 | 9 | 3.9 |
| 8 | DM00803 | 28 | 86 | 44 | 35 | 223 | 251 | 198 | 65 | 40 | 28 | 75 | 57 | 25 | 38 | M22x1.5 | 22 | M42x1.5 | M56x2 | 14 | 14 | 4.2 |
| 8 | DM00808 | 79 | 86 | 44 | 99 | 274 | 353 | 249 | 65 | 40 | 28 | 75 | 57 | 25 | 38 | M22x1.5 | 22 | M42x1.5 | M56x2 | 14 | 14 | 5.3 |
| 8 | DM00816 | 155 | 86 | 44 | 195 | 350 | 505 | 325 | 65 | 40 | 28 | 75 | 57 | 25 | 38 | M22x1.5 | 22 | M42x1.5 | M56x2 | 14 | 14 | 6.8 |
| 8 | DM00826 | 257 | 86 | 44 | 323 | 452 | 709 | 427 | 65 | 40 | 28 | 75 | 57 | 25 | 38 | M22x1.5 | 22 | M42x1.5 | M56x2 | 14 | 14 | 9 |
| 15 | DM01516 | 159 | 139 | 73 | 323 | 389 | 548 | 359 | 80 | 51 | 35 | 73 | 95 | 30 | 54 | M30x1.5 | 28 | M56x2 | M70x2 | 22 | 24 | 9 |
| 15 | DM01526 | 260 | 139 | 73 | 527 | 490 | 750 | 460 | 80 | 51 | 35 | 73 | 95 | 30 | 54 | M30x1.5 | 28 | M56x2 | M70x2 | 22 | 24 | 11.7 |
| 23 | DM02316 | 159 | 228 | 93 | 527 | 425 | 584 | 398 | 92 | 65 | 50 | 89 | 110 | 27 | 70 | M42x1.5 | 25 | M70x2 | M85x2 | 29 | 26 | 17 |
| 23 | DM02326 | 260 | 228 | 93 | 863 | 526 | 786 | 499 | 92 | 65 | 50 | 89 | 110 | 27 | 70 | M42x1.5 | 25 | M70x2 | M85x2 | 29 | 26 | 21 |

4 tonluk silindirlerde 1/4" BSP kaplin dişi vardır.

DM/DI modellerinde yüksek basınç emniyet valfi bulunmamaktadır.

DI Serisi - Imperial

| Kapasite Capacity | Model | Strok Stroke | Kapasite Cap. (kN) | | Yağ Hacmi Oil Cap. | A | B | C | D | E | F | H | H1 | K | J | M | P | R | W | X | Z | Ağırlık Weight |
|----------------------|---------|-----------------|-----------------------|---------------|-----------------------|-----|-----|-----|----|----|----|----|-----|----|----|-----------|----|-------------|-----------|----|----|-------------------|
| Ton | LARZEP | mm | İtme Push | Çekme Pull | cm ³ | mm | mm | mm | mm | mm | mm | mm | mm | mm | mm | ** | mm | ** | ** | mm | mm | kg |
| 4 | DI00403 | 28 | 34 | 12 | 14 | 186 | 214 | 162 | 51 | 25 | 20 | 47 | 61 | 24 | 29 | 1/2"-20 | 19 | 1 1/8"-20 | 1 3/8"-12 | 11 | 9 | 2 |
| 4 | DI00408 | 79 | 34 | 12 | 39 | 237 | 316 | 213 | 51 | 25 | 20 | 47 | 61 | 24 | 29 | 1/2"-20 | 19 | 1 1/8"-20 | 1 3/8"-12 | 11 | 9 | 2.9 |
| 4 | DI00416 | 155 | 34 | 12 | 76 | 313 | 468 | 289 | 51 | 25 | 20 | 47 | 61 | 24 | 29 | 1/2"-20 | 19 | 1 1/8"-20 | 1 3/8"-12 | 11 | 9 | 3.9 |
| 8 | DI00803 | 28 | 86 | 44 | 35 | 223 | 251 | 198 | 65 | 40 | 28 | 75 | 57 | 25 | 38 | 3/4"-16 | 22 | 1 11/16"-18 | 2"-12 | 14 | 14 | 3.7 |
| 8 | DI00808 | 79 | 86 | 44 | 99 | 274 | 353 | 249 | 65 | 40 | 28 | 75 | 57 | 25 | 38 | 3/4"-16 | 22 | 1 11/16"-18 | 2"-12 | 14 | 14 | 4.7 |
| 8 | DI00816 | 155 | 86 | 44 | 195 | 350 | 505 | 325 | 65 | 40 | 28 | 75 | 57 | 25 | 38 | 3/4"-16 | 22 | 1 11/16"-18 | 2"-12 | 14 | 14 | 6.4 |
| 8 | DI00826 | 257 | 86 | 44 | 323 | 452 | 709 | 427 | 65 | 40 | 28 | 75 | 57 | 25 | 38 | 3/4"-16 | 22 | 1 11/16"-18 | 2"-12 | 14 | 14 | 9 |
| 15 | DI01516 | 159 | 139 | 73 | 323 | 389 | 548 | 359 | 80 | 51 | 35 | 73 | 95 | 30 | 54 | 1 1/8"-12 | 28 | 2 3/16"-16 | 2 5/8"-16 | 22 | 24 | 9 |
| 15 | DI01526 | 260 | 139 | 73 | 527 | 490 | 750 | 460 | 80 | 51 | 35 | 73 | 95 | 30 | 54 | 1 1/8"-12 | 28 | 2 3/16"-16 | 2 5/8"-16 | 22 | 24 | 11.7 |
| 23 | DI02316 | 159 | 228 | 93 | 527 | 425 | 584 | 398 | 92 | 65 | 50 | 89 | 110 | 27 | 70 | 1 1/2"-12 | 25 | 2 3/4"-16 | 3 1/4"-16 | 29 | 26 | 17 |
| 23 | DI02326 | 260 | 228 | 93 | 863 | 526 | 786 | 499 | 92 | 65 | 50 | 89 | 110 | 27 | 70 | 1 1/2"-12 | 25 | 2 3/4"-16 | 3 1/4"-16 | 29 | 26 | 21 |