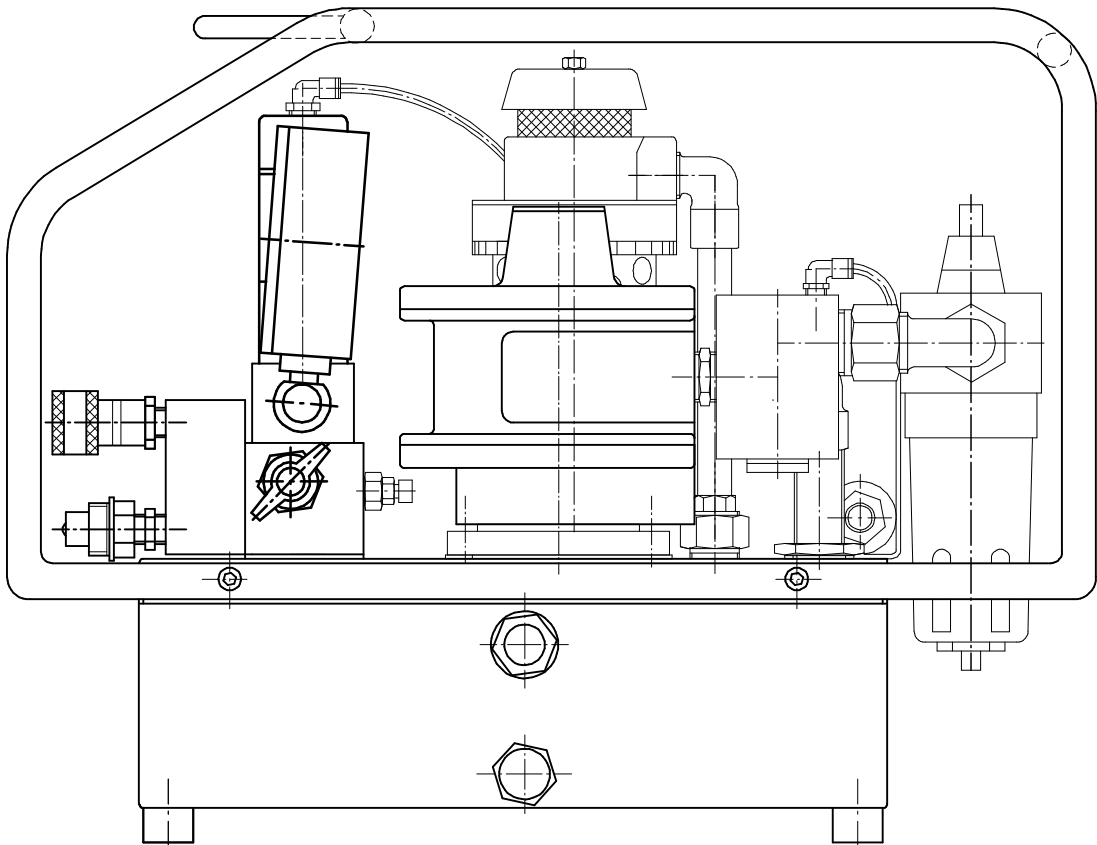
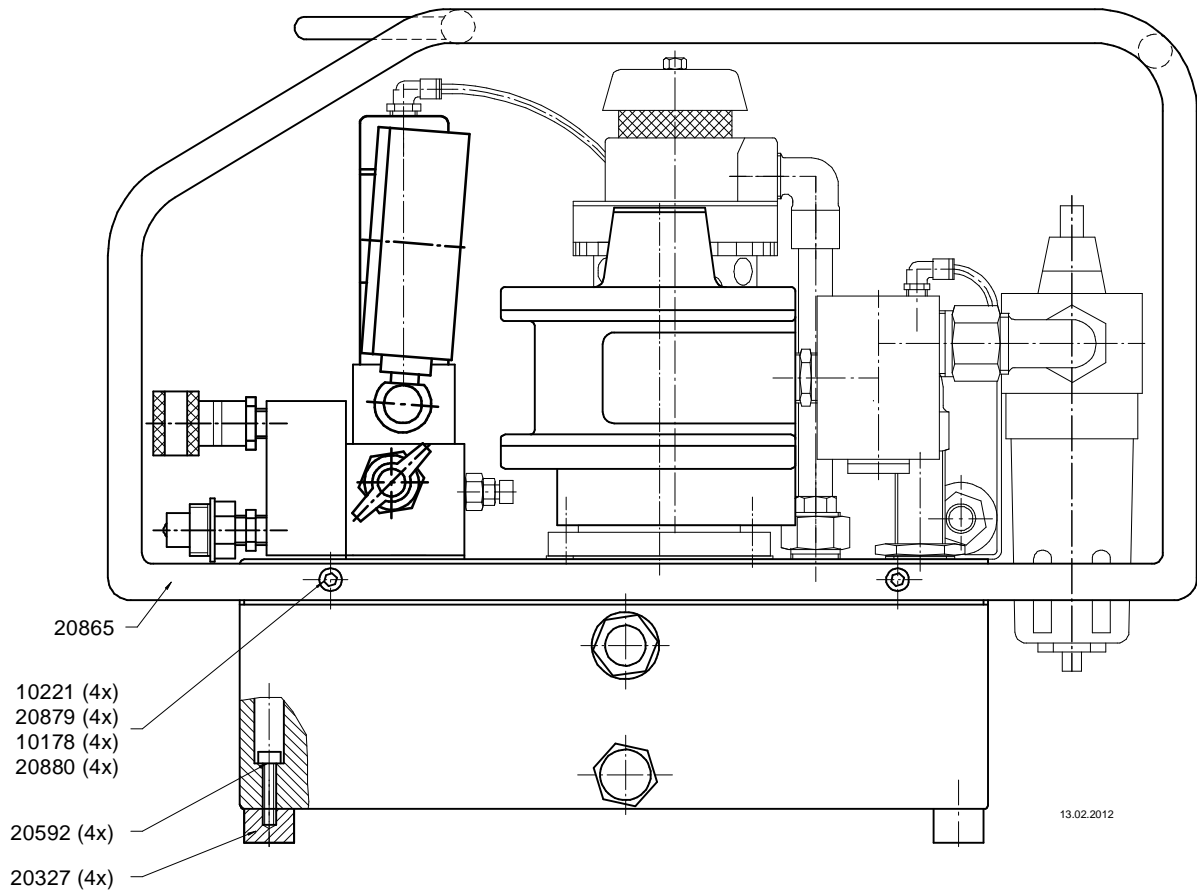


Spare Parts

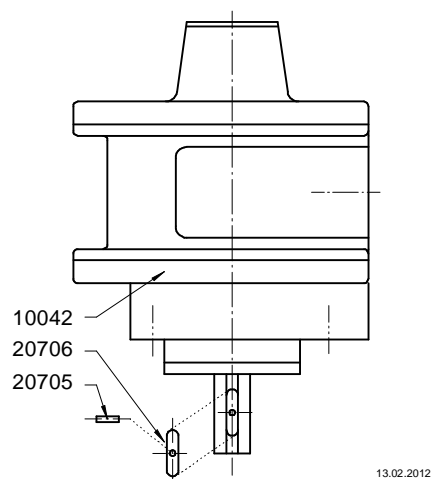
Hydraulik pump FP280-3



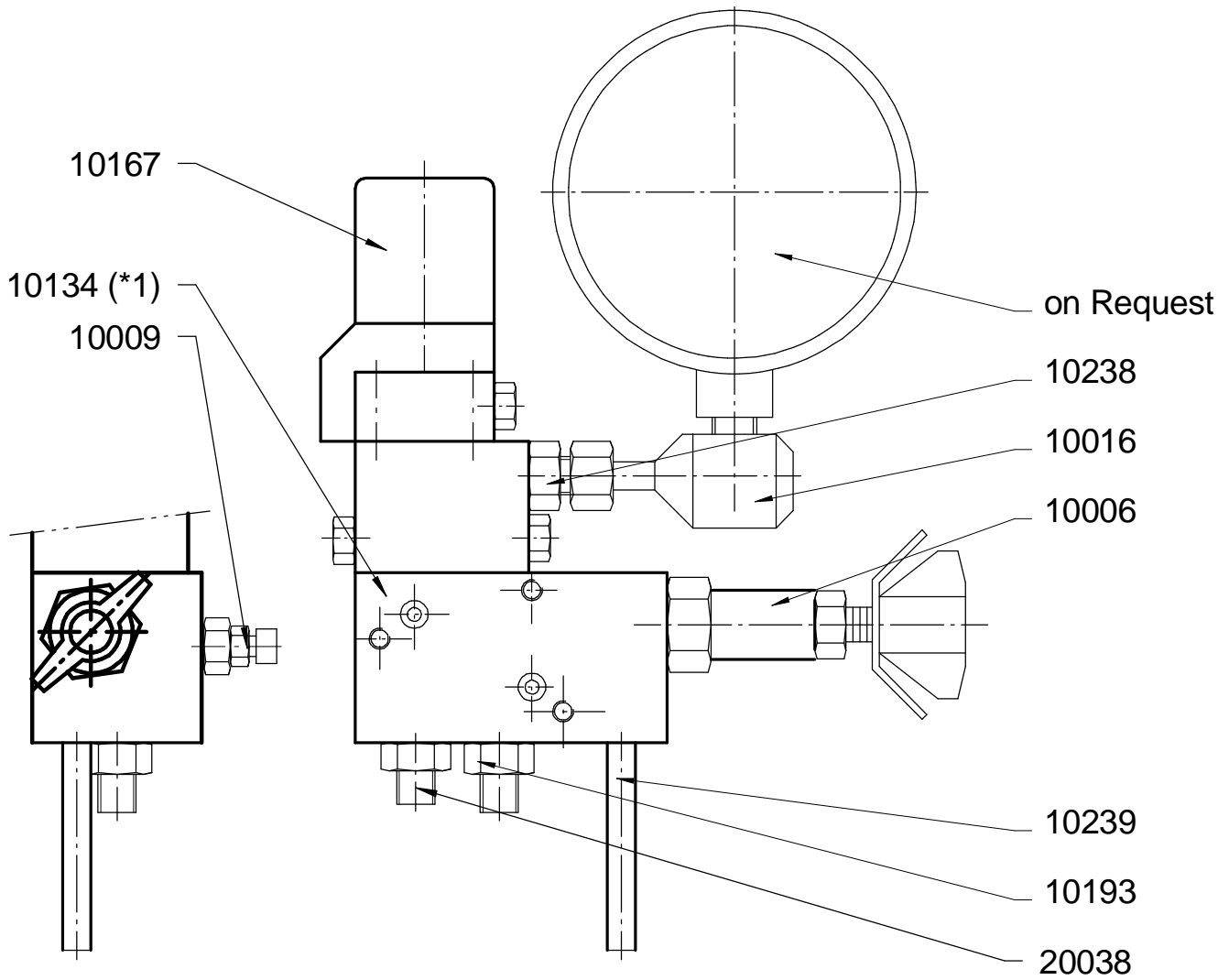
Hydraulik pump FP280-3 "external"



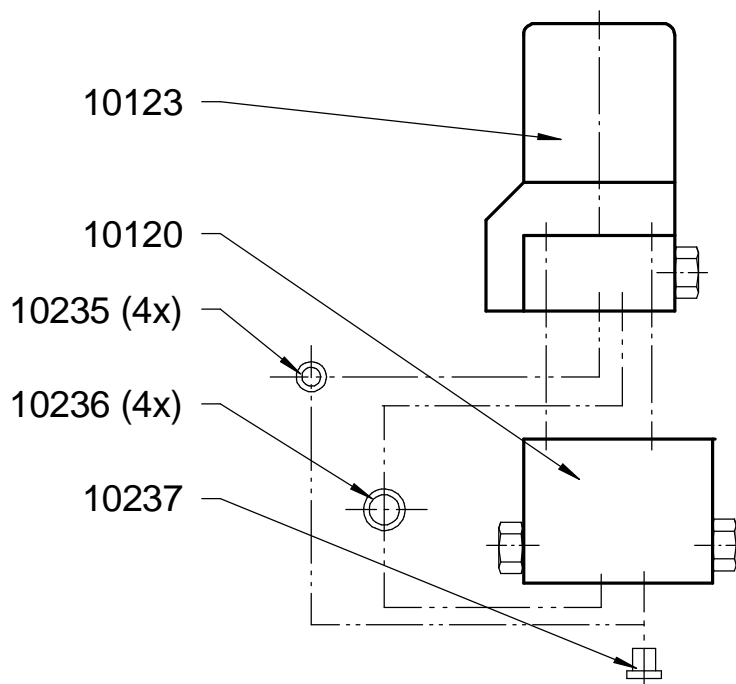
Hydraulik pump FP280-3 "Air Motor"



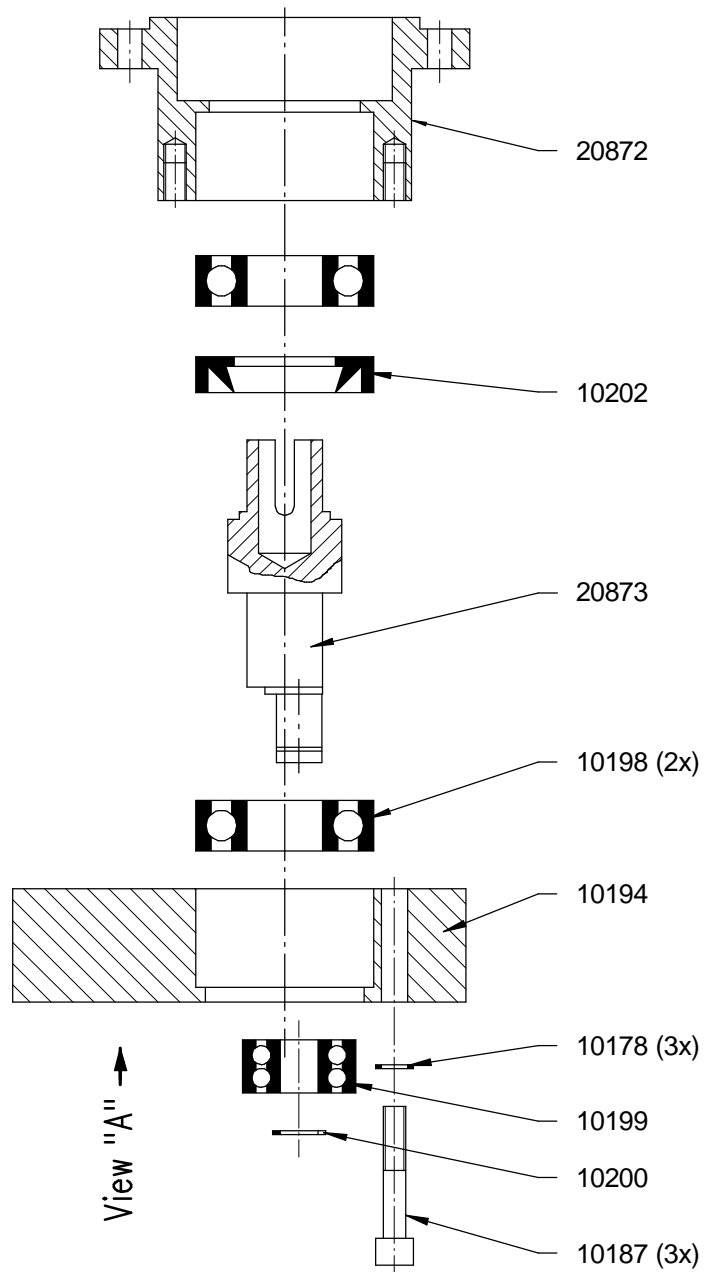
Manifold FP280



*1 : For direct Coupler connection use 10082

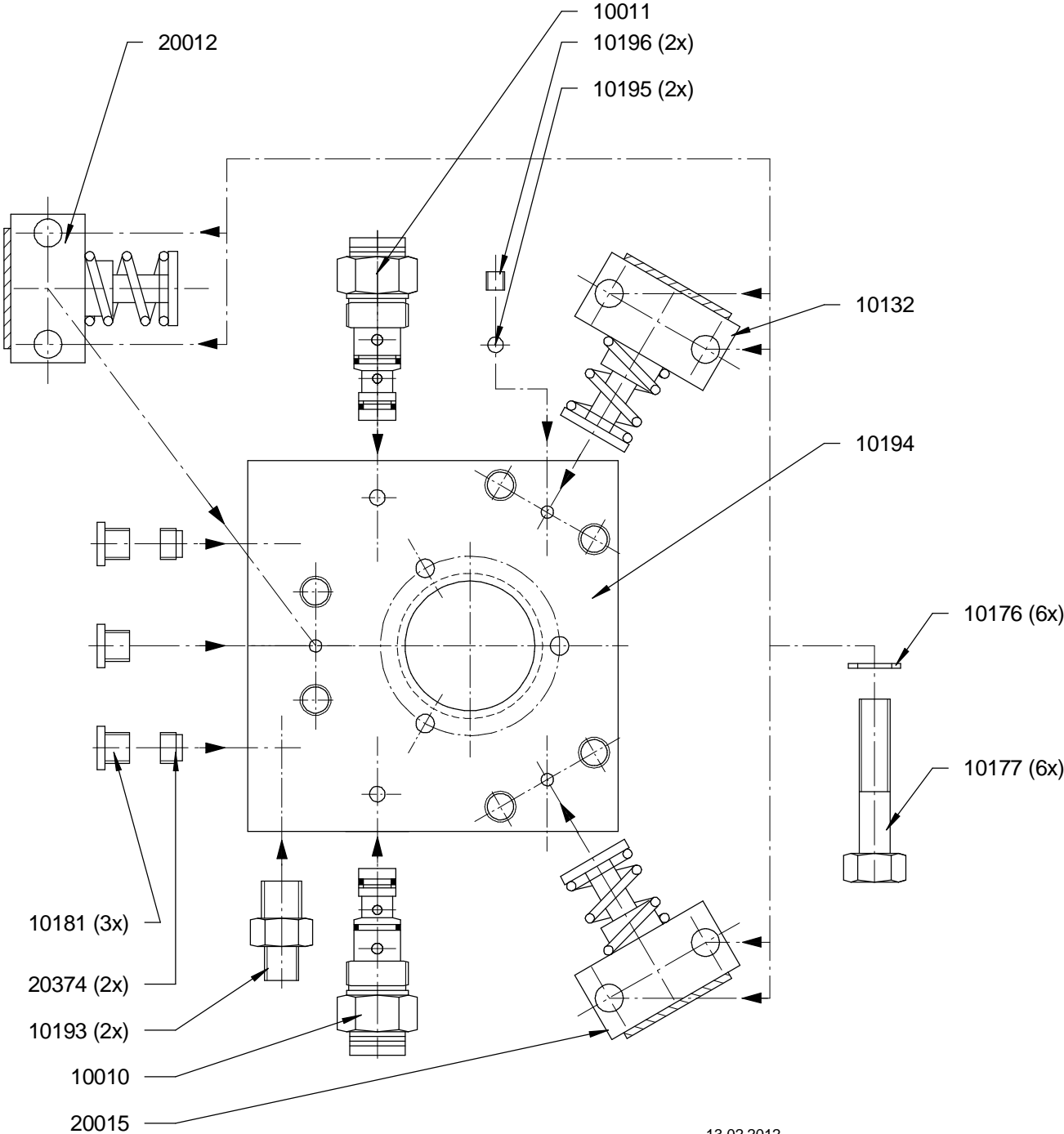


Piston pump FP280-3



13.02.2012

Piston pump FP280-3 View "A"



13.02.2012